

RING JOINT GASKET



Carbon Steel - Zinc Plated



316 Stainless Steel



Specification:

Style R Gasket:

- Standard Style R Joint gaskets are manufactured in accordance with both API 6A and ASME B16.20 size/ratings.
- UVI's Style R Ring Joint gaskets are manufactured in accordance with all relevant standards to suit the following flange designations:
 - > API 6A > ASME / ANSI B16.5 > MSS SP44 (ASME 16.47 SERIES A)
 - > BS 1560

Style RX Gasket:

- Standard Style RX Joint gaskets are manufactured in accordance with both API 6A and ASME B16.20 size/ratings
- The customized design uses a pressure energized effect which improves the efficiency of the seal as the internal pressure of the system increases
- The Style RX is designed to fit the same groove design as a standard Style R, making the joints interchangeable.

Style BX Gasket:

- BX pressure energized Ring Joint gaskets, manufactured in accordance with API 6A, are designed for use on pressurized systems up to 20,000 psi
- Style BX gasket design allows virtual face to face contact with the flange faces which in turn making the gasket fully trapped on both the inner and outer diameters.
- All BX Gaskets incorporate a pressure balance hole to ensure equalization of pressure which may be trapped in the grooves. One pressure passage hole required per ring on center line.

Carbon Steel

- R Series
- RX Series
- BX Series

316 Stainless

- R Series
- RX Series
- BX Series

ENGINEER APPROVAL

JOB: _____ DATE: ___/___/___

MEETS DIMENSIONAL SPECIFICATIONS: YES NO

MEETS MATERIAL SPECIFICATIONS: YES NO

MEETS PRESSURE / TEMPERATURE SPECIFICATIONS: YES NO

NOTES: _____

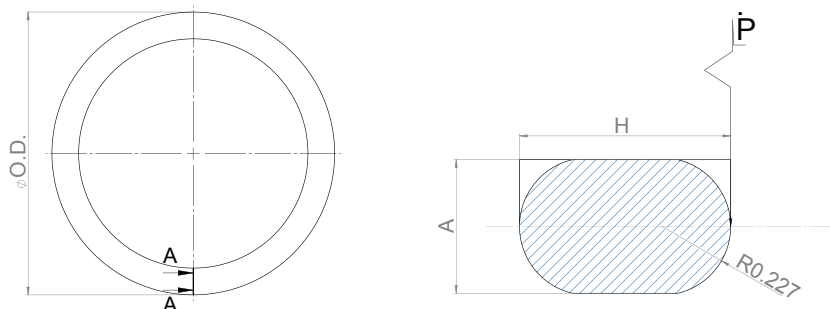
ENGINEER NAME: _____

ENGINEER SIGNATURE: _____

* Due to the continuous development of our products, design or construction may change without prior notice.

RING JOINT GASKET

R Style Dimensional Table

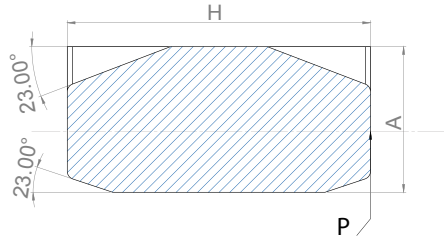
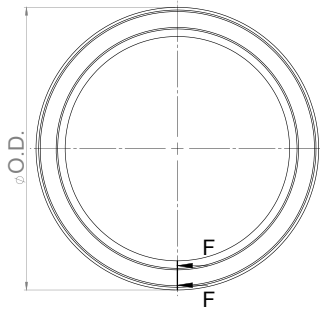


Ring No.	PRESSURE CLASS RATINGS							Pitch	Width	Height of Ring	Approx. Distance Between
	ANSI, BS & MSS				API (psi)		Diameter				
	150	300/600	900	1500	2500	2000/3000	5000	of Ring	A	H	Flanges
	Nominal Pipe Size							P	A	H	Flanges
R12	-	-	1/2	1/2	-	-	-	1.563	0.313	0.56	-
R16*	-	1	1	1	3/4	-	-	2	0.313	0.56	-
R18*	-	1 1/4	1 1/4	1 1/4	1	-	-	2.375	0.313	0.56	-
R20*	-	1 1/2	1 1/2	1 1/2	-	-	-	2.688	0.313	0.56	0.16
R23*	-	2	-	-	1 1/2	2 1/16	-	3.25	0.438	0.69	0.19
R24*	-	-	2	2	-	2 1/16	2	3.75	0.438	0.69	0.19
R26*	-	2 1/2	-	-	-	2 9/16	-	4	0.438	0.69	0.19
R27	-	-	2 1/2	2 1/2	-	2 9/16	2 9/16	4.25	0.438	0.69	0.19
R31*	-	3	3	-	-	3 1/8	-	4.875	0.438	0.69	0.19
R32	-	-	-	-	3	-	-	5	0.5	0.75	-
R35*	-	-	-	3	-	-	3 1/8	5.375	0.438	0.69	0.19
R37*	-	4	4	-	-	4 1/16	-	5.875	0.438	0.69	0.19
R38	-	-	-	-	4	-	-	6.188	0.625	0.88	-
R39*	-	-	-	4	-	-	4 1/16	6.375	0.438	0.69	0.19
R45*	-	6	6	-	-	7 1/16	-	8.313	0.438	0.69	0.19
R46	-	-	-	6	-	-	7 1/16	8.313	0.5	0.75	0.13
R49*	-	8	8	-	-	9	-	10.625	0.438	0.69	0.19
R50	-	-	-	8	-	-	9	10.625	0.625	0.88	0.16
R53	-	10	10	-	-	11	-	12.75	0.438	0.69	0.19
R54	-	-	-	10	-	-	11	12.75	0.625	0.88	0.16
R57	-	12	12	-	-	13 5/8	-	15	0.438	0.69	0.19
R58	-	-	-	12	-	-	-	15	0.875	1.13	-
R65	-	16	-	-	-	16 3/4	-	18.5	0.438	0.69	0.19
R66	-	-	16	-	-	-16	-	18.5	0.625	0.88	0.16
R69	-	18	-	-	-	-	-	21	0.438	0.69	0.19
R73	-	20	-	-	-	21 1/4	-	23	0.5	0.75	0.13

* Available in stainless steel

RING JOINT GASKET

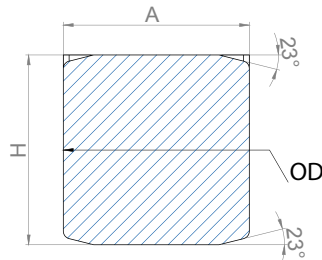
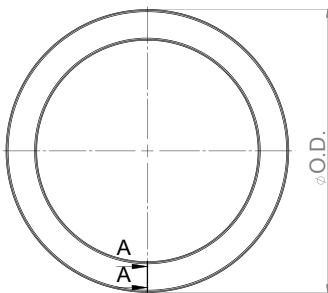
RX Style Dimensional Table



RING NO.	PRESSURE CLASS RATINGS (psi)			Pitch Diameter of Ring	Outside Diameter of Ring	Width of Ring	Height of Ring
	2000	3000	5000				
	Nominal Pipe Size						
RX23	2 1/16	-	-	3.25	3.672	0.469	1
RX24*	-	2 1/16	2 1/16	3.75	4.172	0.469	1
RX27	-	2 9/16	2 9/16	4.25	4.656	0.469	1
RX31	3 1/8	3 1/8	-	4.875	5.297	0.469	1
RX35	-	-	3 1/8	5.375	5.797	0.469	1
RX37*	4 1/16	4 1/16	-	5.875	6.297	0.469	1
RX39*	-	-	4 1/16	6.375	6.797	0.469	1
RX45	7 1/16	7 1/16	-	8.313	8.734	0.469	1
RX46	-	-	7 1/16	8.313	8.75	0.531	1.125
RX50	-	-	9	10.625	11.156	0.656	1.25

* Available in stainless steel

BX Style Dimensional Table



* Available in stainless steel

RING NO.	PRESSURE CLASS RATINGS (psi)				Outside Diameter of Ring	Height of Ring	Width of Ring	Hole Size	Gasket Weight lbs.
	5000	10000	15000	20000					
	Nominal Pipe Size								
	-	-	-	-	2.842	0.366	0.366	0.06	0.295
BX151*	-	1 13/16	1 13/16	1 13/16	3.008	0.379	0.379	0.06	0.337
BX152*	-	2 1/16	2 1/16	2 1/16	3.334	0.403	0.403	0.06	0.425
BX153*	-	2 9/16	2 9/16	2 9/16	3.974	0.448	0.448	0.06	0.632
BX154*	-	3 1/16	3 1/16	3 1/16	4.6	0.488	0.488	0.06	0.875
BX155*	-	4 1/16	4 1/16	4 1/16	5.825	0.56	0.56	0.06	1.22
BX156*	-	7 1/16	7 1/16	7 1/16	9.367	0.733	0.733	0.12	4.14
BX159	-	13 5/8	13 5/8	13 5/8	16.8	1.012	1.012	0.12	14.41
BX160	13 5/8	-	-	-	15.85	0.938	0.541	0.12	6.75
BX169**	-	-	-	-	6.831	0.624	0.509	0.06	-

RING JOINT GASKET

Carbon Steel - Zinc Plated



Weights (LBS) • Dimensions (IN) • QTY (Case Quantity)

SERIES R	ITEM CODE	SIZE	QTY	WEIGHT	LIST PRICE
	RG-R-12 CSZ	R12	245	0.22	
	RG-R-16 CSZ	R16	245	0.26	
	RG-R-20 CSZ	R20	125	0.37	
	RG-R-23 CSZ	R23	64	0.75	
	RG-R-24 CSZ	R24	64	0.86	
	RG-R-26 CSZ	R26	36	0.93	
	RG-R-27 CSZ	R27	36	0.99	
	RG-R-31 CSZ	R31	36	1.12	
	RG-R-32 CSZ	R32	45	1.43	
	RG-R-35 CSZ	R35	45	1.23	
	RG-R-37 CSZ	R37	20	1.37	
	RG-R-38 CSZ	R38	20	2.56	
	RG-R-39 CSZ	R39	20	1.48	
	RG-R-45 CSZ	R45	20	1.92	
	RG-R-46 CSZ	R46	20	2.38	
	RG-R-49 CSZ	R49	12	2.44	
	RG-R-50 CSZ	R50	12	4.38	
	RG-R-53 CSZ	R53	5	2.95	
	RG-R-54 CSZ	R54	5	5.26	
	RG-R-57 CSZ	R57	4	3.46	
	RG-R-58 CSZ	R58	4	11.08	
	RG-R-65 CSZ	R65	4	4.27	
	RG-R-66 CSZ	R66	4	7.64	
	RG-R-69 CSZ	R69	no box	4.85	
	RG-R-73 CSZ	R73	no box	6.59	

Weights (LBS) • Dimensions (IN) • QTY (Case Quantity)

SERIES RX	ITEM CODE	SIZE	QTY	WEIGHT	LIST PRICE
	RG-RX-23 CSZ	RX23	48	1.17	
	RG-RX-24 CSZ	RX24	48	1.37	
	RG-RX-27 CSZ	RX27	28	1.54	
	RG-RX-31 CSZ	RX31	28	1.76	
	RG-RX-35 CSZ	RX35	27	1.96	
	RG-RX-37 CSZ	RX37	20	2.14	
	RG-RX-39 CSZ	RX39	20	2.31	
	RG-RX-45 CSZ	RX45	12	3.02	
	RG-RX-46 CSZ	RX46	16	3.68	
	RG-RX-50 CSZ	RX50	9	6.37	

Weights (LBS) • Dimensions (IN) • QTY (Case Quantity)

SERIES BX	ITEM CODE	SIZE	QTY	WEIGHT	LIST PRICE
	RG-BX-151 CSZ	BX151	128	0.33	
	RG-BX-152 CSZ	BX152	128	0.42	
	RG-BX-153 CSZ	BX153	54	0.62	
	RG-BX-154 CSZ	BX154	54	0.86	
	RG-BX-155 CSZ	BX155	36	1.45	
	RG-BX-156 CSZ	BX156	16	4.05	
	RG-BX-159 CSZ	BX159	3	14.14	
	RG-BX-160 CSZ	BX160	4	6.67	
	RG-BX-169 CSZ	BX169	20	1.74	

RING JOINT GASKET

316 Stainless Steel



Weights (LBS) • Dimensions (IN) • QTY (Case Quantity)

SERIES R	ITEM CODE	SIZE	QTY	WEIGHT	LIST PRICE
	RG-R-16 SS316	R16	245	0.26	
	RG-R-18 SS316	R18	125	0.33	
	RG-R-20 SS316	R20	125	0.37	
	RG-R-23 SS316	R23	64	0.75	
	RG-R-24 SS316	R24	64	0.86	
	RG-R-26 SS316	R26	36	0.93	
	RG-R-31 SS316	R31	36	1.12	
	RG-R-35 SS316	R35	45	1.23	
	RG-R-37 SS316	R37	20	1.37	
	RG-R-39 SS316	R39	20	1.48	
	RG-R-45 SS316	R45	20	1.92	
	RG-R-49 SS316	R49	12	2.44	

Weights (LBS) • Dimensions (IN) • QTY (Case Quantity)

SERIES RX	ITEM CODE	SIZE	QTY	WEIGHT	LIST PRICE
	RG-RX-24 SS316	RX24	48	1.37	
	RG-RX-37 SS316	RX37	20	2.14	
	RG-RX-39 SS316	RX39	20	2.31	

Weights (LBS) • Dimensions (IN) • QTY (Case Quantity)

SERIES BX	ITEM CODE	SIZE	QTY	WEIGHT	LIST PRICE
	RG-BX-151 SS316	BX151	128	0.33	
	RG-BX-152 SS316	BX152	128	0.42	
	RG-BX-153 SS316	BX153	54	0.62	
	RG-BX-154 SS316	BX154	54	0.86	
	RG-BX-155 SS316	BX155	36	1.45	
	RG-BX-156 SS316	BX156	16	4.05	