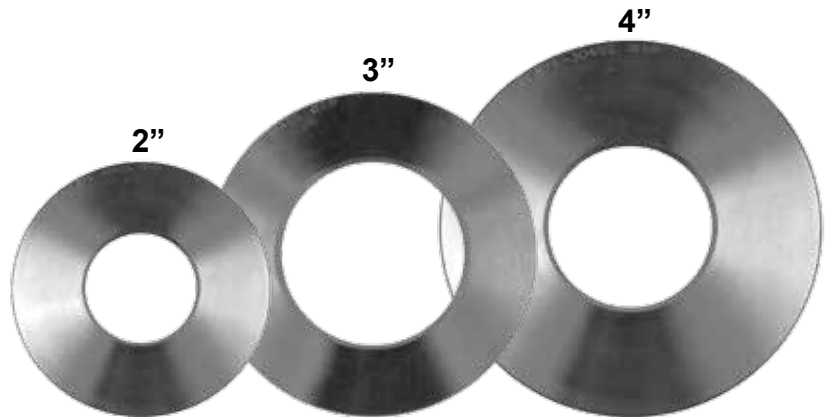


ORIFICE PLATES



Specification:

- The material of the Universal type Orifice Plates conforms to the requirements of 304 and 316 Stainless steel.
- Square and sharp edges will not reflect the light when seen without magnification. The Universal Concentric Sharp-Edged Orifice plate is bored and beveled to a 45° angle.
- Orifice bore tolerance in strict accordance with A.P.I. Chapter 14, Section 3, A.G.A. Gas Measurement Committee Report No. 3, A.S.M.E - MFC-3m, I.S.O - 5167, I.S.A., and ANSI T3.21.3.
- Surface finish to 15-30 -inch is controlled by special finishing machines that are designed to preserve flatness.
- Universal Orifice Plates fit ANSI flanges up to 4". Orifice plates for line sizes larger than 4" are available. Please contact UVI for exact material/dimensions.

304 Stainless

- 2"
- 3"
- 4"

ENGINEER APPROVAL

JOB: _____ DATE: ___/___/___

MEETS DIMENSIONAL SPECIFICATIONS: YES NO

MEETS MATERIAL SPECIFICATIONS: YES NO

MEETS PRESSURE / TEMPERATURE SPECIFICATIONS: YES NO

NOTES: _____

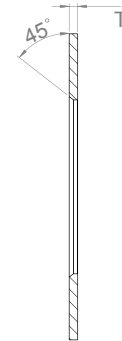
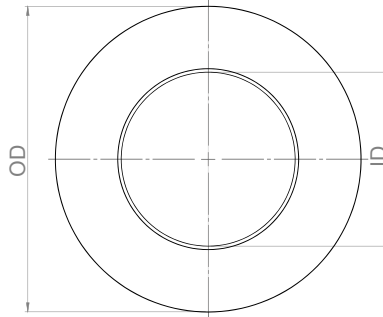
ENGINEER NAME: _____

ENGINEER SIGNATURE: _____

* Due to the continuous development of our products, design or construction may change without prior notice.

ORIFICE PLATES

304 Stainless Steel



Weights (LBS / FT) • Dimensions (IN) • QTY (Pack Quantity)

NOMINAL 2"	ITEM CODE	SIZE	PLATE O.D.	BORE I.D.	T	QTY	WEIGHT	LIST PRICE
	2x0.500-304	2	2.48	1/2	1/8	25	0.18	
	2x0.625-304	2	2.48	5/8	1/8	25	0.18	
	2x0.750-304	2	2.48	3/4	1/8	25	0.13	
	2x0.875-304	2	2.48	7/8	1/8	25	0.13	
	2x1.000-304	2	2.48	1	1/8	25	0.13	
	2x1.125-304	2	2.48	1 1/8	1/8	25	0.13	
	2x1.250-304	2	2.48	1 1/4	1/8	25	0.13	

Weights (LBS / FT) • Dimensions (IN) • QTY (Pack Quantity)

NOMINAL 3"	ITEM CODE	SIZE	PLATE O.D.	BORE I.D.	T	QTY	WEIGHT	LIST PRICE
	3x0.625-304	3	3.48	5/8	1/8	25	0.31	
	3x0.750-304	3	3.48	3/4	1/8	25	0.31	
	3x0.875-304	3	3.48	7/8	1/8	25	0.31	
	3x1.000-304	3	3.48	1	1/8	25	0.31	
	3x1.125-304	3	3.48	1 1/8	1/8	25	0.31	
	3x1.250-304	3	3.48	1 1/4	1/8	25	0.26	
	3x1.375-304	3	3.48	1 3/8	1/8	25	0.26	
	3x1.500-304	3	3.48	1 1/2	1/8	25	0.26	

Weights (LBS / FT) • Dimensions (IN) • QTY (Pack Quantity)

NOMINAL 4"	ITEM CODE	SIZE	PLATE O.D.	BORE I.D.	T	QTY	WEIGHT	LIST PRICE
	4x1.000-304	4	4.41	1	1/8	25	0.53	
	4x1.125-304	4	4.41	1 1/8	1/8	25	0.53	
	4x1.250-304	4	4.41	1 1/4	1/8	25	0.53	
	4x1.375-304	4	4.41	1 3/8	1/8	25	0.49	
	4x1.500-304	4	4.41	1 1/2	1/8	25	0.49	
	4x1.625-304	4	4.41	1 5/8	1/8	25	0.44	
	4x1.750-304	4	4.41	1 3/4	1/8	25	0.44	
	4x1.875-304	4	4.41	1 7/8	1/8	25	0.44	
	4x2.000-304	4	4.41	2	1/8	25	0.44	
	4x2.125-304	4	4.41	2 1/8	1/8	25	0.40	
	4x2.250-304	4	4.41	2 1/4	1/8	25	0.40	
	4x2.500-304	4	4.41	2 1/2	1/8	25	0.35	