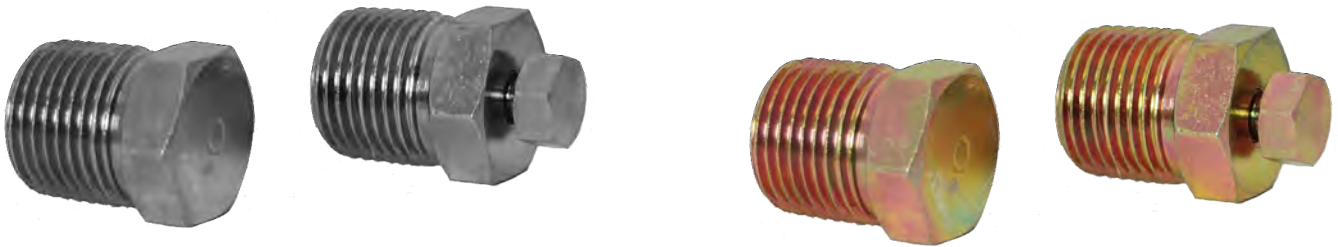
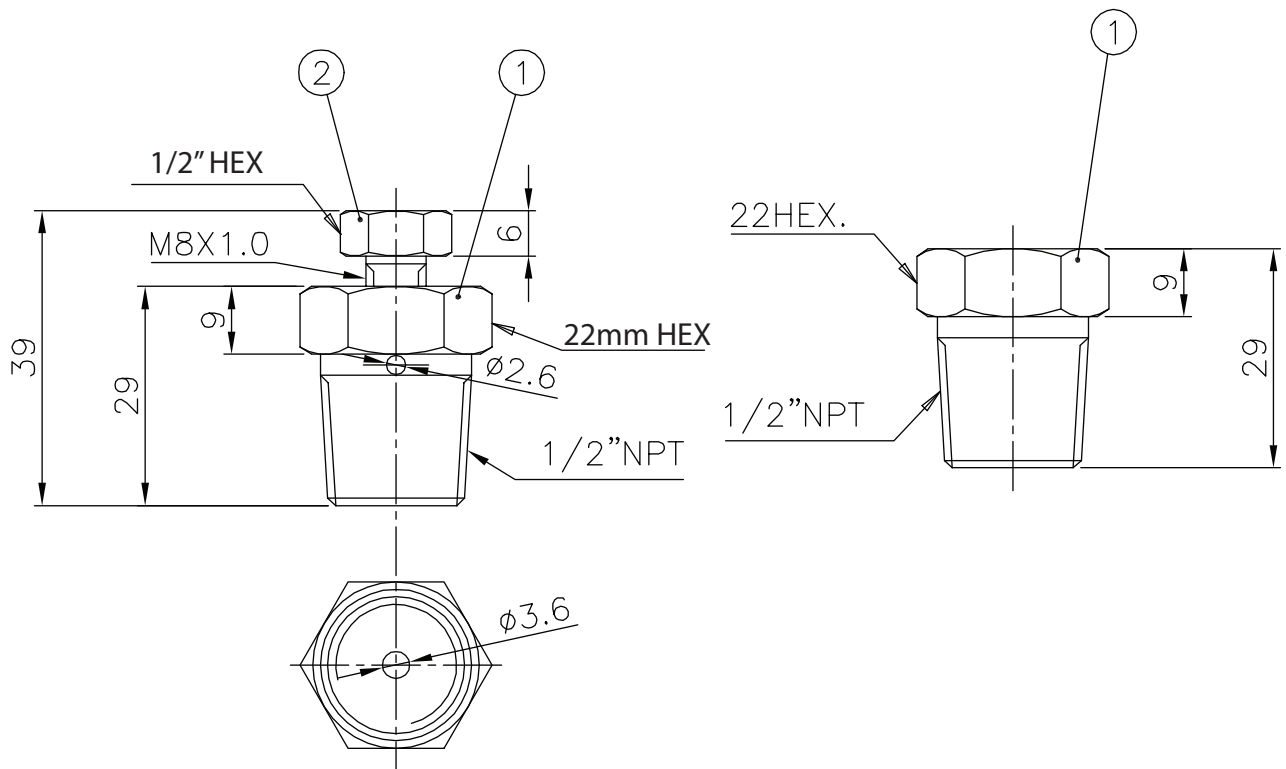


# VENT PLUGS



**SPECIFICATIONS**

**RATED TO 10,000 PSI**  
**316 SS OR A105 - CARBON STEEL CONSTRUCTION**  
**THREADS CONFORM TO ASME B1.20.1**  
**NACE**



\* Due to the continuous development of our products, design or construction may change without prior notice