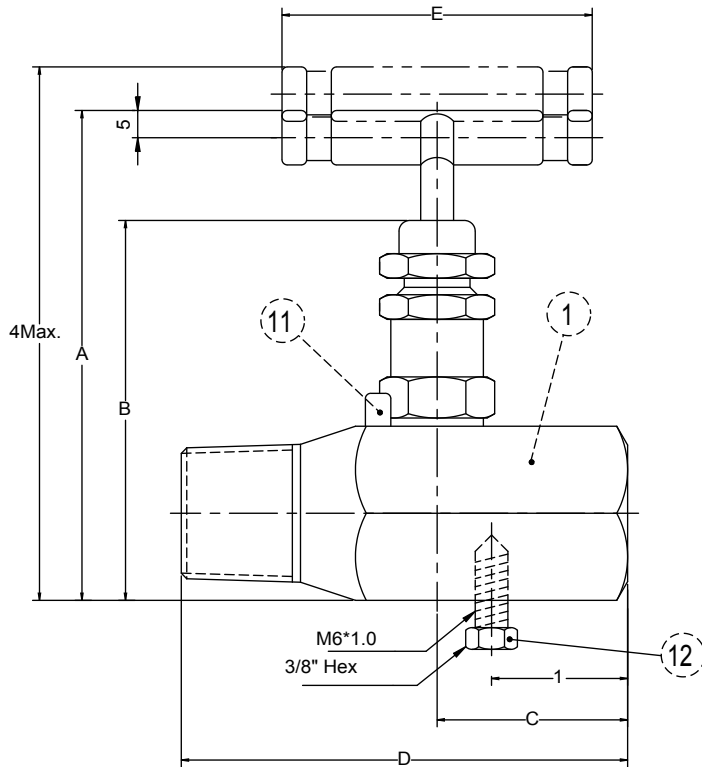
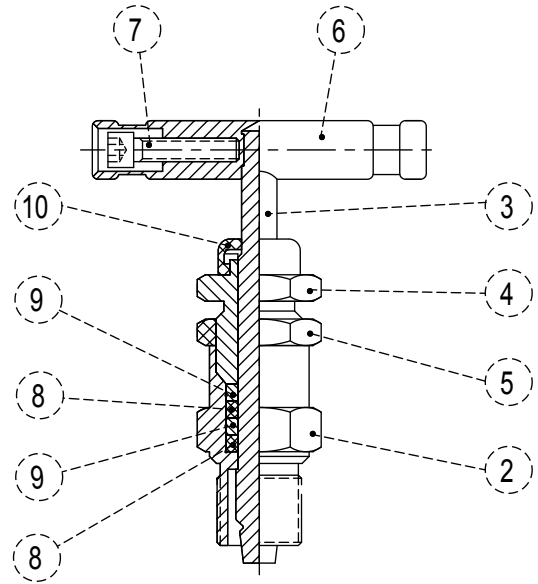


# STAINLESS STEEL NEEDLE VALVE (BLEED) SERIES: SPVB



## SPECIFICATIONS

**RATED TO 6,000 PSI (V TYPE BLEED)**  
**STAINLESS STEEL CONSTRUCTION**  
**TEFLON/VITON PACKING AND SEALS**  
**WORKING TEMPERATURE -20 DEG F TO 200 DEG F**  
**THREADS CONFORM TO ASME B1.20.1**  
**AVAILABLE IN MxM, MxF, AND FxF**  
**NACE MR0175**

No.	Item	Material
1	Valve body	SS316
2	Bonnet	SS316
3	Stem	SS316
4	Packing nut	SS316
5	Fixing screw	SS316
6	Handle	SS303
7	Handle fixing screw	SS302
8	Packing	Viton O-ring
9	Back up ring	Teflon
10	Dust Cap	NBR
11	Bonnet lock pin	SS303
12	Bleed Screw	SS316

## DIMENSIONS - 6,000 PSI

NPS	PART #	DESCRIPTION	A	B	C	D	E	F
1/4"	SPV4M4FVB	STAINLESS STEEL MXF 6,000 PSI	3.54	2.74	1.37	3.22	2.24	0.25
1/2"	SPV8M8FVB	STAINLESS STEEL MXF 6,000 PSI	3.54	2.74	1.37	3.22	2.24	0.25
3/4"	SPV12M12FVB	STAINLESS STEEL MXF 6,000 PSI	3.54	2.74	1.37	3.22	2.24	0.25

\* Due to the continuous development of our products, design or construction may change without prior notice

# CARBON STEEL F X F NEEDLE VALVE

## SERIES: CPVB



### SPECIFICATIONS

**RATED TO 6,000 PSI (T TYPE)**  
**CARBON STEEL CONSTRUCTION**

**TEFLON PACKING**

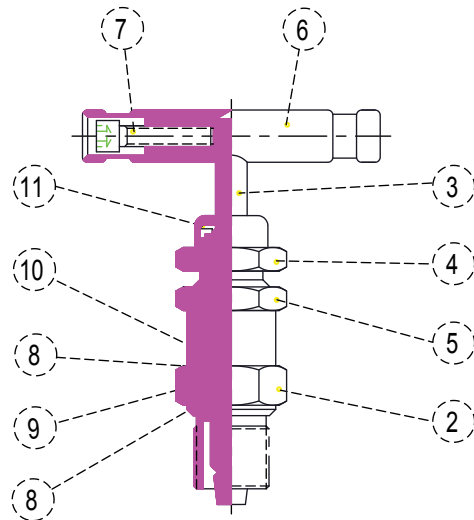
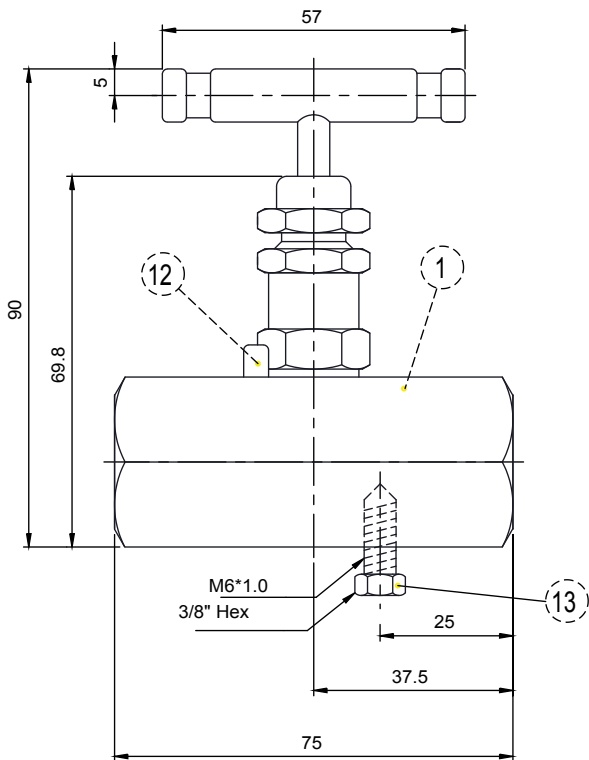
**WORKING TEMPERATURE -20 DEG F TO 200 DEG F**

**THREADS CONFORM TO ASME B1.20.1**

**NACE MR0175**



No.	Item	Material
1	Valve body	Carbon steel
2	Fixing Nut	Carbon steel
3	Stem	SS 304
4	Locking nut	Carbon steel
5	Fixing Nut	Carbon steel
6	Handle	Carbon steel
7	Screw	SCN435
8	Packing	Viton O ring
9	Back up ring	Telfon
10	Back up ring	Telfon
11	Dust Cap	NBR
12	Locking nut	SS303
13	Bleed Screw	SS316



### DIMENSIONS - 6,000 PSI

NPS	PART #	DESCRIPTION	A	B	C	D	E	F
1/4"	CPV4F4FVB	CARBON STEEL F X F 6000 PSI	3.54	2.74	1.47	2.95	2.24	0.25
1/2"	CPV8F8FVB	CARBON STEEL F X F 6000 PSI	3.54	2.74	1.47	2.95	2.24	0.25
3/4"	CPV12F12FVB	CARBON STEEL F X F 6000 PSI	3.54	2.74	1.47	2.95	2.24	0.25

\* Due to the continuous development of our products, design or construction may change without prior notice