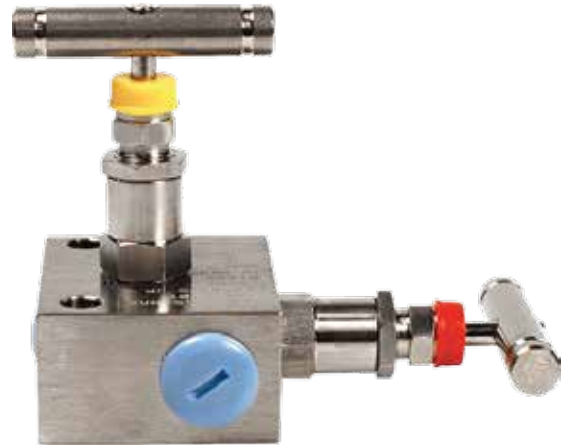


2 VALVE MANIFOLD DIRECT MOUNT



Specification:

2 Valve Manifold Direct Mount

COP valve manifold pipe to pipe design for separate mounting. Connecting system impulse lines and transmitters, having simple two valve configuration which allows for easy block, bleed and calibration of a static pressure transmitter or gauge.

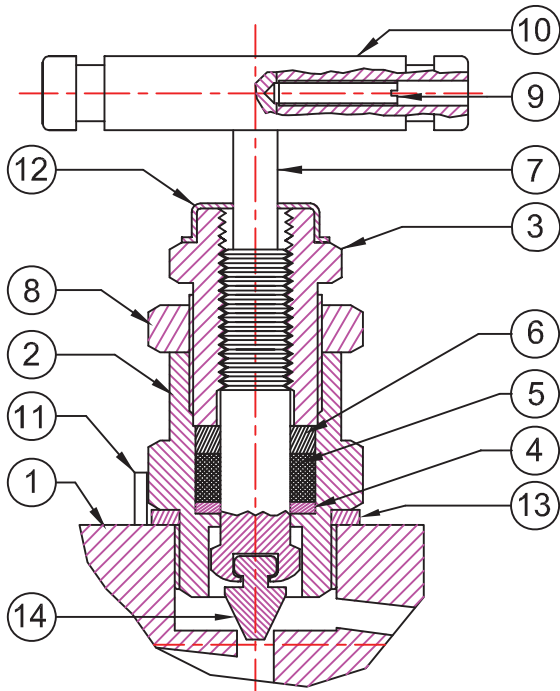
- 316 stainless steel body
- Non rotating Vee tip
- Graphoil packing material is available (Optional) for high temperature 1000 F at 6000 psi
- Design standard: ANSI B16.34
- Valve Design standard: ANSI B16-Class 2500
- Sour gas services confirms to NACE MR-01-75

Technical Data:

Seat	Pressure Rating	Temperature Rating		Cv	Orifice
Metal Seat	6000 Psi	PTFE -20 F to 250 F	GRAFOIL -20 F to 600 F	0.52 max	4.8 mm

* Due to the continuous development of our products, design or construction may change without prior notice.

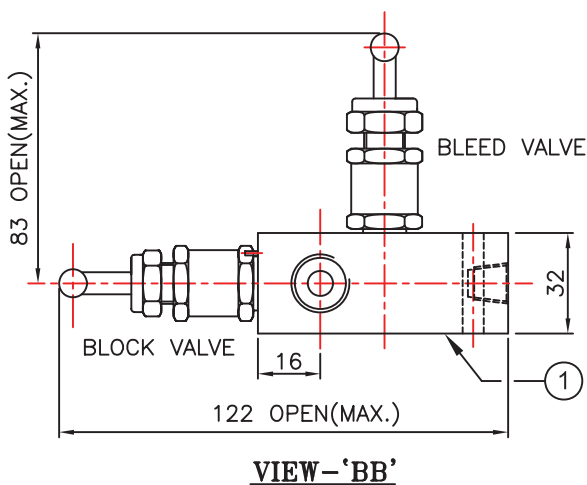
2 VALVE MANIFOLD DIRECT MOUNT



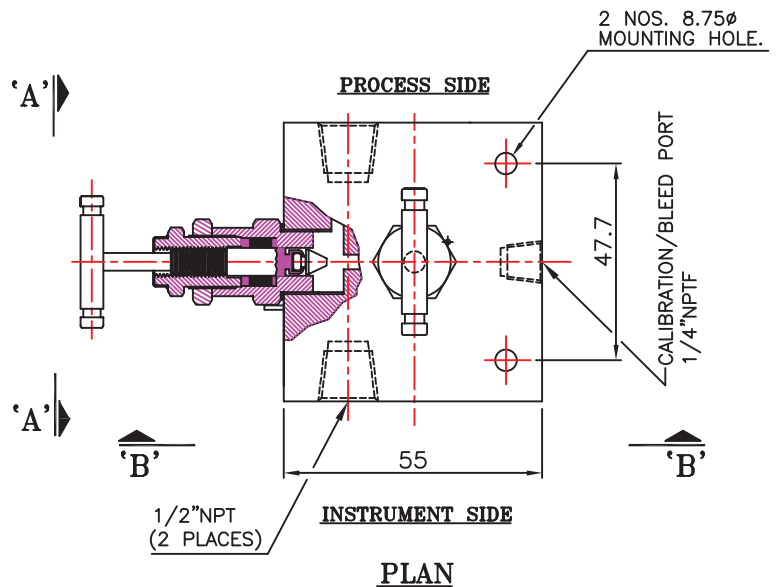
BONNET ASSEMBLY

14	NON ROTATING VEE TIP	2	A564-630
13	WASHER	2	A479-316
12	DUST CAP	2	PLASTIC LD.
11	LOCK PIN	2	A479-316
10	HANDLE	2	A479-316
9	GRUB SCREW	2	STEEL
8	LOCK NUT	2	A479-316
7	SPINDLE	2	A479-316
6	PACKING WASHER	2	A479-316
5	PACKING	2	PTFE/GRAFOIL
4	WASHER	2	A479-316
3	GLAND RETAINER	2	A479-316
2	BONNET	2	A479-316
1	BODY	1	A479-316
S.NO.	DESCRIPTION	QTY.	MATERIAL

MATERIAL OF CONSTRUCTIONS



VIEW - 'BB'



* Due to the continuous development of our products, design or construction may change without prior notice.