



Bimetal Thermometer

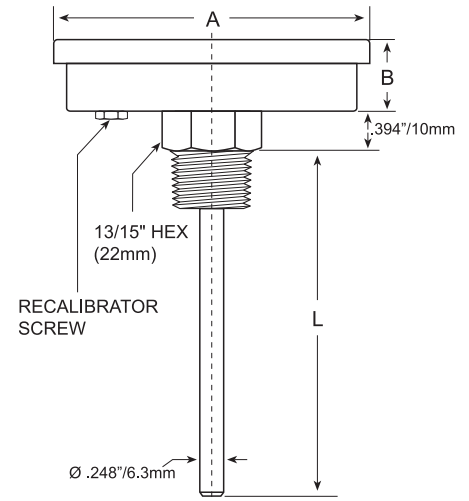
AD-Back Connection

Applications:

All SS Industrial Bimetal Thermometers are suitable for corrosive media and environments in chemical process, petroleum and food industry.

Unit:mm

DIAL	A	B
3"	3.13" 79.5mm	.71" 18mm
5"	5" 127mm	.75" 19mm



Specification:

Dial size: 3", 5"

Case: Polished 304 stainless steel and hermitically sealed crimped ring

With re-set adjustable screws at back of case

Window: Instrument Glass

Temperature element: Coiled bimetal sensing element for reliable reading

Dial: Dished Aluminum, white background, black letters and scale

Pointer: Black aluminum

Stem: Fixed 1/2" NPT in 304 Stainless Steel

Bulb: 304 stainless steel, 1/4" diameter, length 2.5", 4", 6", 9", 12" etc including thread

Connection: Center back

Scale: Dual scale °F/°C, single scale °F or °C

Ambient temperature: -50°F +248°F (-50°C+120°C)

Maximum operation pressure: 125psi

Accuracy: 1.0% FSD

Special option: Glycerin filled, Silicone oil filled,
316 Stainless steel stem and bulb

Dial Size	Stem Length	Temperature Ranges	
3"	2.5"	RA:-40+120°F/°C	RB:-40+160°F/°C
5"	4"	RC:0-150°F/°C	RD:0-200°F/°C
	6"	RE:+20+240°F/°C	RF:0+250°F/°C
	9"	RG:+50+300°F/°C	RH:+50+400°F/°C
	12"	RI:+50+550°F/°C	RJ:+150+750°F/°C
		RK:+200+1000°F/°C	

How to order: CB/Dial Size/Stem Length/Temperature range

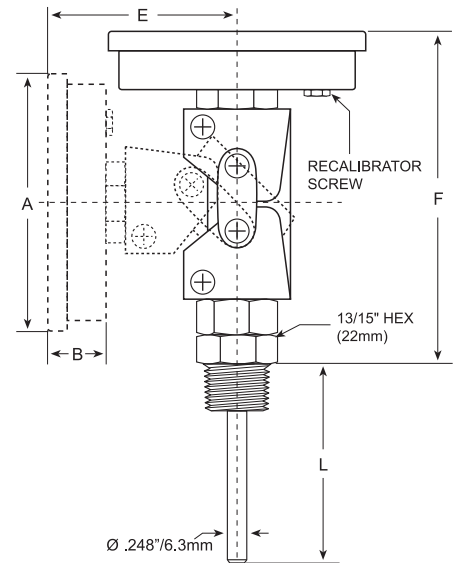


Bimetal Thermometer

AD-Adjustable Angle

Unit:mm

DIAL	A	B	E	F
3"	3.13" 79.5mm	.71" 18mm	2.36" 60mm	4.17" 106mm
5"	5" 127mm	.75" 19mm	2.40" 61mm	4.21" 107mm



Applications:

All SS Industrial Bimetal Thermometers are suitable for corrosive media and environments in chemical process, petroleum and food industry.

Specification:

Dial size: 3"/79.5mm, 5"/127mm

Case: Polished 304 stainless steel and hermetically sealed crimped ring

With re-set adjustable screws at back of case

Window: Instrument Glass

Temperature element: Coiled bimetal sensing element for reliable reading

Dial: Dished Aluminum, white background, black letters and scale

Pointer: Black aluminum

Stem: Fixed 1/2" NPT in 304 Stainless Steel

Bulb: 304 stainless steel, 1/4" diameter, length 2.5", 4", 6", 9", 12" etc including thread

Connection: Adjustable angle

Scale: Dual scale °F/°C, single scale °F or °C

Ambient temperature: -50°F +248°F(-50°C+120°C)

Maximum operation pressure: 125psi

Accuracy: 1.0% FSD

Special option: Glycerin filled, Silicone oil filled,

316 Stainless steel stem and bulb

Dial Size	Stem Length	Temperature Ranges	
3"	2.5"	RA:-40+120°F/°C	RB:-40+160°F/°C
	4"	RC:0-150°F/°C	RD:0-200°F/°C
5"	6"	RE:+20+240°F/°C	RF:0+250°F/°C
	9"	RG:+50+300°F/°C	RH:+50+400°F/°C
	12"	RI:+50+550°F/°C	RJ:+150+750°F/°C
		RK:+200+1000°F/°C	

How to order: AD/Dial Size/Stem Length/Temperature range