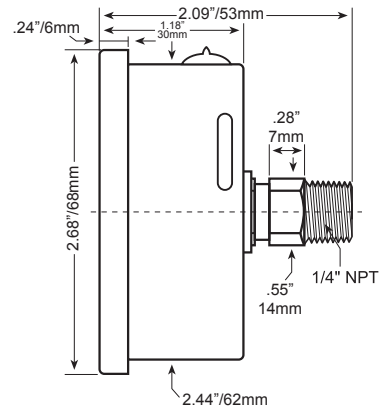
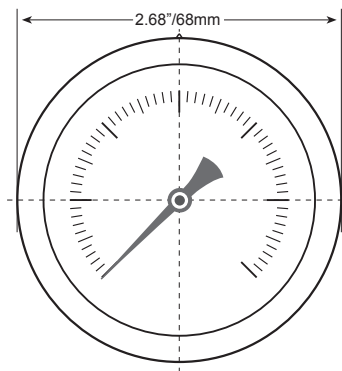


All SS Liquid Fillable Gauges

302L-254/302D-254

Applications:

300 Series liquid fillable gauges are designed for industrial applications where the media or the environment contains chemical aggressive substances.



Specification:

Model: 302L-254 or 302D-254

Dial size: 2.5"/63mm

Case: 304 Stainless Steel

Bezel: 304 Stainless Steel crimped ring

Oil Cap: Blow out plug

Window: Polycarbonate, Glass Optional

Dial: Dished Aluminum, white background, black figures & graduations

Pointer: Aluminum, black finish

Bourdon Tube: 316 stainless steel

Movement: 304 stainless steel

Connection: Stainless Steel, center back mount, 1/4" NPT male, match with U-clamp socket, G1/4" BSP

Execution: 302L-254 fill Glycerin, 302D-254 dry but fillable

Accuracy: +/-1.6% of span

Range: Vacuum to 15,000psi

Operating Temperature: Ambient: -40+140°F, Medium: 392°F Max without liquid fill, 212°F
-40+60°C, Medium: 200°C Max without liquid fill, 100°C

How to order: Model/Pressure Range

See last page in gauge section

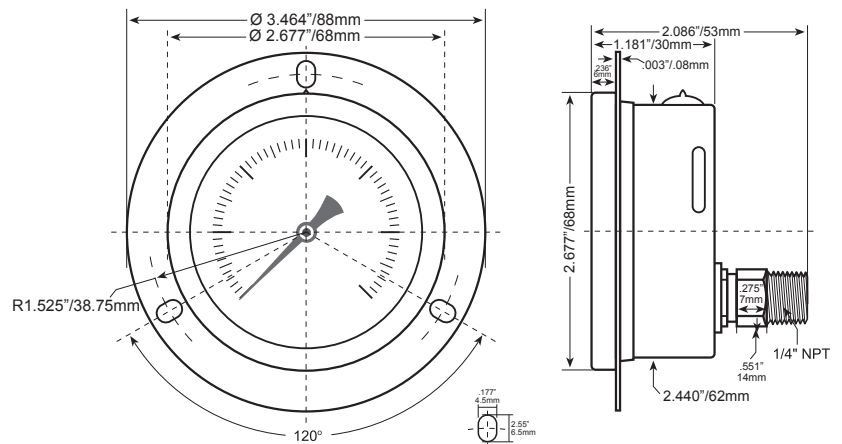


All SS Liquid Fillable Gauges

304L-254/304D-254

Applications:

300 Series liquid fillable gauges are designed for industrial applications where the media or the environment contains chemical aggressive substances.



Specification:

Model: 304L-254 or 304D-254

Dial size: 2.5"/63mm

Case: 304 Stainless Steel

Bezel: 304 Stainless Steel crimped ring

Oil Cap: Blow out plug

Window: Polycarbonate, Glass Optional

Dial: Dished Aluminum, white background, black figures & graduations

Pointer: Aluminum, black finish

Bourdon Tube: 316 stainless steel

Movement: 304 stainless steel

Connection: Stainless Steel, center back mount, 1/4" NPT male, G1/4" BSP

Mounting: Panel mounting with 304 stainless steel front flange

Execution: 304L-254 fill Glycerin, 304D-254 dry but fillable

Accuracy: +/-1.6% of span

Range: Vacuum to 15,000psi

Operating Temperature: Ambient: -40+140°F, Medium: 392°F Max without liquid fill, 212°F
-40+60°C, Medium: 200°C Max without liquid fill, 100°C

How to order: Model/Pressure Range

See last page in gauge section