

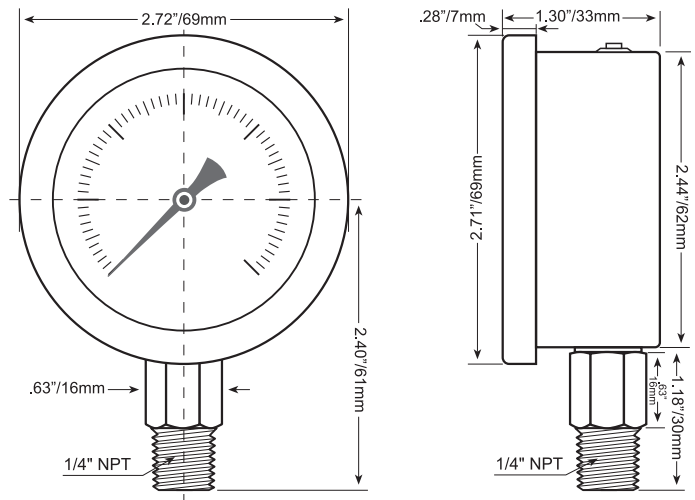


All SS Liquid Fillable Gauges

300L-254/300D-254

Applications:

300 Series liquid fillable gauges are designed for industrial applications where the media or the environment contains chemical aggressive substances.



Specification:

Model: 300L-254 or 300D-254

Dial size: 2.5"/63mm

Case: 304 Stainless Steel

Bezel: 304 Stainless Steel crimped ring

Oil Cap: Blow out plug

Window: Polycarbonate, Glass optional

Dial: Dished Aluminum, white background, black figures & graduations

Pointer: Aluminum, black finish

Bourdon Tube: 316 stainless steel

Movement: 304 stainless steel

Connection: Stainless Steel, lower mount, 1/4"NPT male, G1/4" BSP

Execution: 300L-254 fill Glycerin, 300D-254 dry but fillable

Accuracy: +/-1.6% of span

Range: Vacuum to 15,000psi

Operating Temperature:
maximum with liquid filled

How to order: Model/Pressure Range
See last page in gauge section

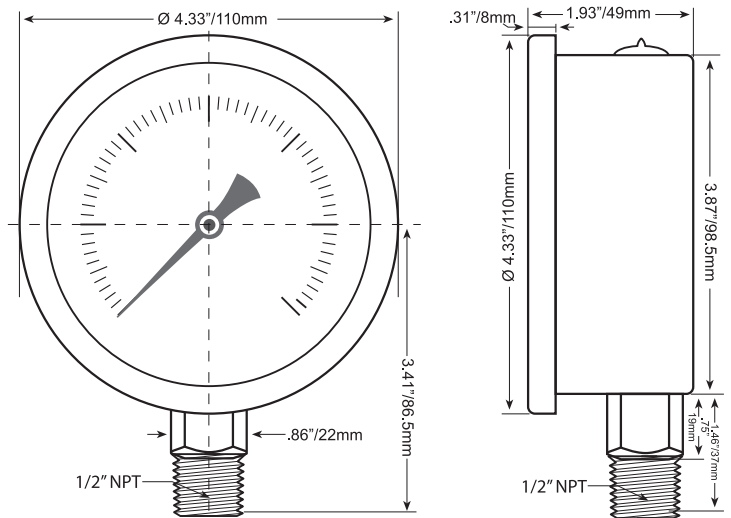


All SS Liquid Fillable Gauges

300L-402/300D-402

Applications:

300 Series liquid fillable gauges are designed for industrial applications where the media or the environment contains chemical aggressive substances.



Specification:

Model: 300L-402 or 300D-402

Dial size: $4"/100\text{mm}$

Case: 304 Stainless Steel

Bezel: 304 Stainless Steel crimped ring

Oil Cap: Blow-out plug

Window: Polycarbonate, Glass optional

Dial: Dished Aluminum, white background, black figures & graduations

Pointer: Aluminum, black finish, micro-adjustable

Bourdon Tube: 316 stainless steel

Movement: 304 stainless steel, with restriction

Connection: Stainless Steel in one piece, lower mount, $1/2"$ NPT male, G $1/2"$ BSP

Execution: 300L-402 fill Glycerin, 300D-402 dry but fillable

Accuracy: $\pm 1.0\%$ of span

Range: Vacuum to 15,000psi

Operating Temperature: Ambient: $-40+140^{\circ}\text{F}$, Medium: 392°F Max without liquid fill, 212°F
 $-40+60^{\circ}\text{C}$, Medium: 200°C Max without liquid fill, 100°C

How to order: Model/Pressure Range
 See last page in gauge section