



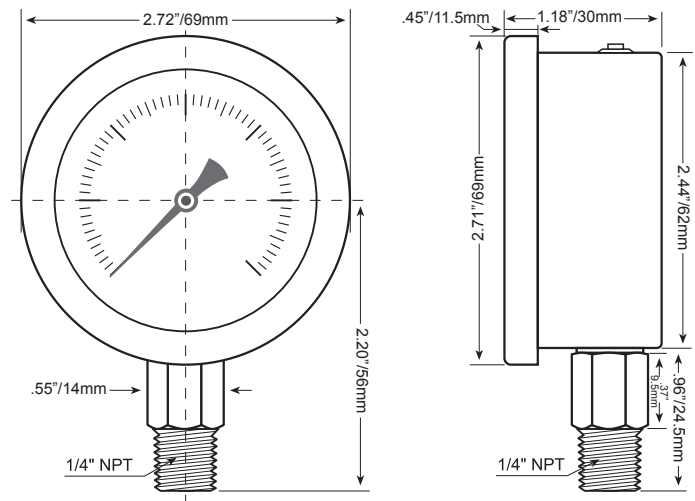
Liquid Fillable Gauges

210L-254/210D-254

Applications:

210 Series liquid fillable gauges are designed for industrial applications requiring damping.

210 series is suitable for gases and liquids that Do not attack the brass measuring system.



Specification:

Model: 210L-254 or 210D-254

Dial size: 2.5"/63mm

Case: 304 Stainless Steel

Bezel: 304 Stainless Steel bayonet ring

Oil Cap: Blow out plug

Window: Toughened Safety Glass

Dial: Dished Aluminum, white background, black figures & graduations

Pointer: Aluminum, black finish

Bourdon Tube: Phosphor Bronze

Movement: Brass

Connection: Brass in one piece, lower mount, 1/4" NPT male, G1/4" BSP

Execution: 210L-254 fill Glycerin, 210D-254 dry but fillable

Accuracy: +/-1.6% of span

Range: Vacuum to 6000psi

Operating Temperature: Ambient: -40+140°F, Medium: +140°F Max / -40+60°C, Medium: +60°C Max

How to order: Model/Pressure Range

(Pressure Range: See Page:)



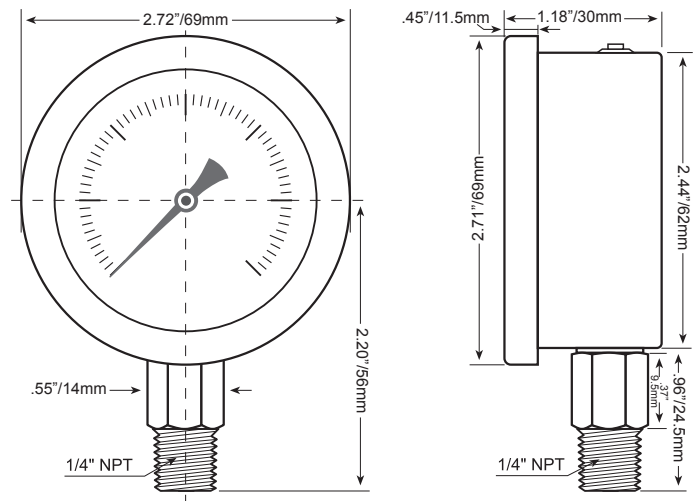
Liquid Fillable Gauges

210L-254/210D-254

Applications:

210 Series liquid fillable gauges are designed for industrial applications requiring damping.

210 series is suitable for gases and liquids that Do not attack the brass measuring system.



Specification:

Model: 210L-254 or 210D-254

Dial size: 2.5"/63mm

Case: 304 Stainless Steel

Bezel: 304 Stainless Steel bayonet ring

Oil Cap: Blow out plug

Window: Toughened Safety Glass

Dial: Dished Aluminum, white background, black figures & graduations

Pointer: Aluminum, black finish

Bourdon Tube: Phosphor Bronze

Movement: Brass

Connection: Brass in one piece, lower mount, 1/4" NPT male, G1/4" BSP

Execution: 210L-254 fill Glycerin, 210D-254 dry but fillable

Accuracy: +/-1.6% of span

Range: Vacuum to 6000psi

Operating Temperature: Ambient: -40+140°F, Medium: +140°F Max / -40+60°C, Medium: +60°C Max

How to order: Model/Pressure Range

(Pressure Range: See Page:)

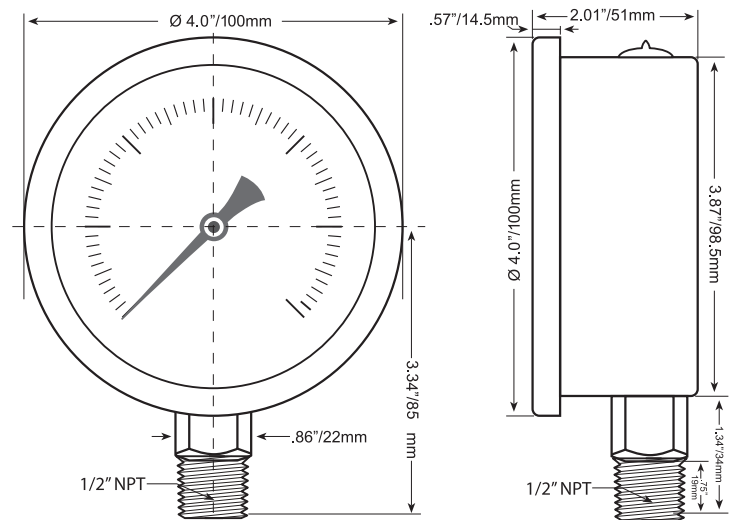


All SS Liquid Fillable Gauges

210L-402/210D-402

Applications:

210 Series liquid fillable gauges are designed for industrial applications where the media or the environment contains chemical aggressive substances.



Specification:

Model: 210L-402 or 210D-402

Dial size: 4"/100mm

Case: 304 Stainless Steel

Bezel: 304 Stainless Steel bayonet ring

Oil Cap: Blow out plug

Window: Tempered Safety Glass

Dial: Dished Aluminum, white background, black figures & graduations

Pointer: Aluminum, black finish, micro-adjustable

Bourdon Tube: Phosphor Bronze

Movement: 304 stainless steel, with restriction

Connection: Brass (HPB59-1) Socket Direct with connector, lower mount, 1/2" NPT male, welded connection and case

Execution: 210L-402 fill Glycerin, 210D-402 dry but fillable

Accuracy: +/-1.0% of span

Range: Vacuum to 15,000psi

Operating Temperature: Ambient: -40+140°F, Medium: 392°F Max without liquid fill, 212°F
-40+60°C, Medium: 200°C Max without liquid fill, 100°C

How to order: Model/Pressure Range

See last page in gauge section