



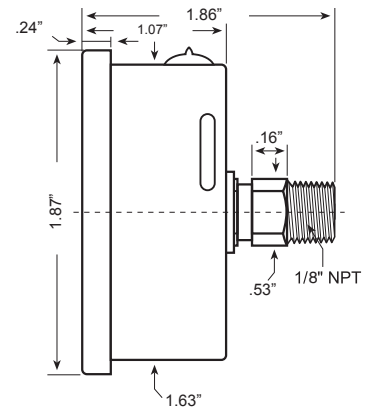
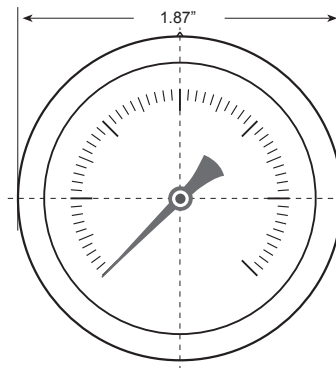
Liquid Fillable Gauges

202L-158 / 202D-158

Applications:

202 Series liquid fillable gauges are designed for industrial applications requiring damping.

202 series is suitable for gases and liquids that Do not attack the brass measuring system.



Specification:

Liquid Fillable Gauges

Model: 202L-158 / 202D-158

Dial size: 1.5"

Case: 304 Stainless Steel

Bezel: 304 Stainless Steel crimped ring

Oil Cap: Blow out plug

Window: Polycarbonate

Dial: Dished Aluminum, white background, black figures & graduations

Pointer: Aluminum, black finish

Bourdon Tube: Phosphor Bronze

Movement: Brass

Connection: Brass, center back mount, 1/8" NPT male, G1/8" BSP

Execution: 202L-158 fill Glycerin, 202D-158 dry but fillable

Accuracy: +/-1.6% of span

Range: Vacuum to 6000psi

Operating Temperature: Ambient: -40+140°F, Medium: +140°F Max / -40+60°C, Medium: +60°C Max

How to order: Model/Pressure Range

(Pressure Range: See Page:)



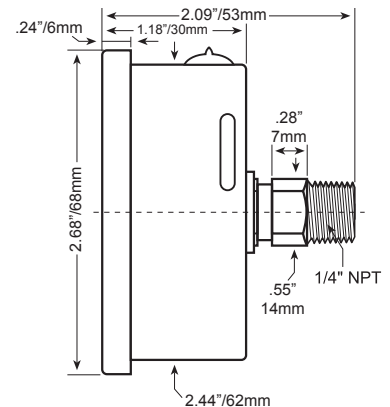
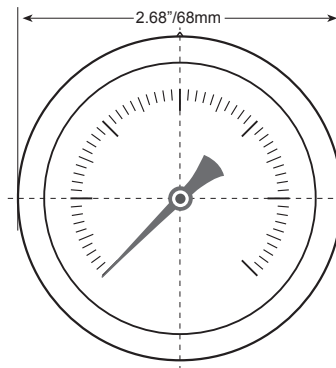
Liquid Fillable Gauges

202L-254/202D-254

Applications:

202 Series liquid fillable gauges are designed for industrial applications requiring damping.

202 series is suitable for gases and liquids that Do not attack the brass measuring system.



Specification:

Liquid Fillable Gauges

Model: 202L-254 or 202D-254

Dial size: 2.5"/63mm

Case: 304 Stainless Steel

Bezel: 304 Stainless Steel crimped ring

Oil Cap: Blow out plug

Window: Polycarbonate

Dial: Dished Aluminum, white background, black figures & graduations

Pointer: Aluminum, black finish

Bourdon Tube: Phosphor Bronze

Movement: Brass

Connection: Brass, center back mount, 1/4" NPT male, G1/4" BSP

Execution: 202L-254 fill Glycerin, 202D-254 dry but fillable

Accuracy: +/-1.6% of span

Range: Vacuum to 6000psi

Operating Temperature: Ambient: -40+140°F, Medium: +140°F Max / -40+60°C, Medium: +60°C Max

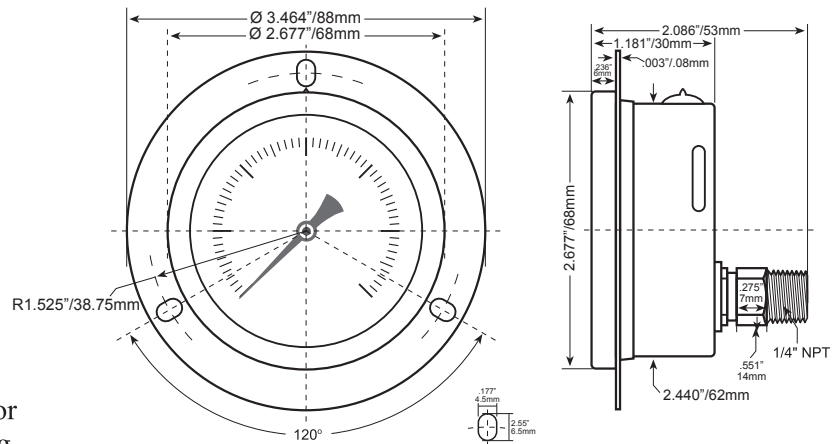
How to order: Model/Pressure Range

(Pressure Range: See Page:)



Liquid Fillable Gauges

204L-254



Applications:

204 series liquid fillable gauges are designed for industrial applications requiring damping.

204 series is suitable for gases and liquids that do not attack the brass measuring system.

Specification:

Liquid Fillable Gauges

Model: 204L-254

Dial size: 2.5"/63mm

Case: 304 Stainless Steel

Bezel: 304 Stainless Steel crimped ring

Oil Cap: Blow out plug

Window: Polycarbonate, Glass optional

Dial: Dished Aluminum, white background, black figures & graduations

Pointer: Aluminum, black finish

Bourdon Tube: Phosphor Bronze

Movement: Brass

Connection: Brass, lower back mount, 1/4" NPT male, G1/4" BSP

Accuracy: +/-1.6% of span

Range: Vacuum to 6000psi

Operating Temperature: Ambient: -40+140°F, Medium: +140°F Max / -40+60°C, Medium: +60°C Max

How to order: Model/Pressure Range
See last page in gauge section