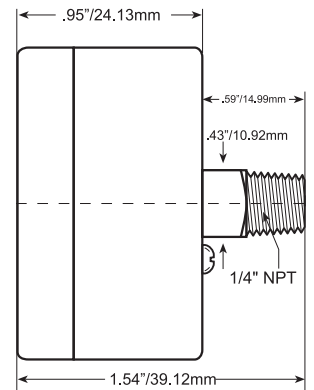
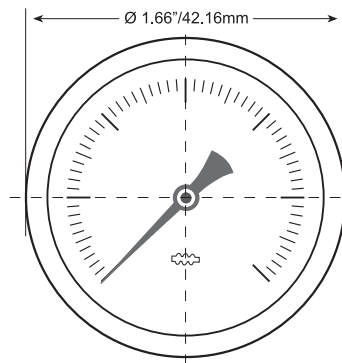
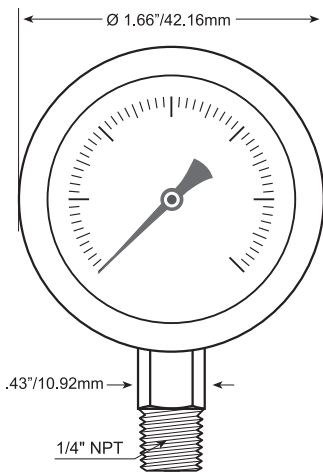




Economy Gauge

101D-158 / 102D-158



Specification:

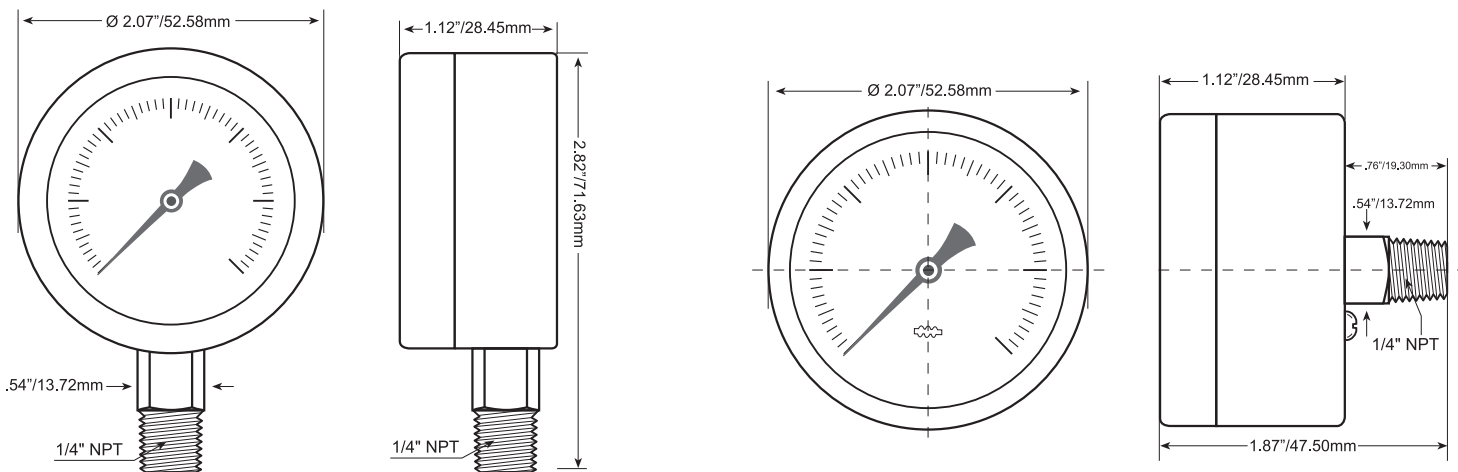
- Model: 101D-158 (bottom connection) / 102D-158 (center back connection)
- Dial Size: 1.5" / 38mm
- Case: Steel with Chrome Ring
- Bezel: Chrome Steel
- Window: Acrylic
- Dial: Aluminum, White Background, Black and Blue Figures and Graduations
- Pointer: Aluminum, Black Finish
- Bourdon Tube: Phosphor Bronze
- Movement: Brass
- Connection: Brass, 1/8" NPT, G 1/8" BSP
- Accuracy: 3/2/3%
- Range: 30psi to 6,000psi
- Operating Temperature: 150°F / 65°C

How to order: Model/Pressure Range
See last page in gauge section



Economy Gauge

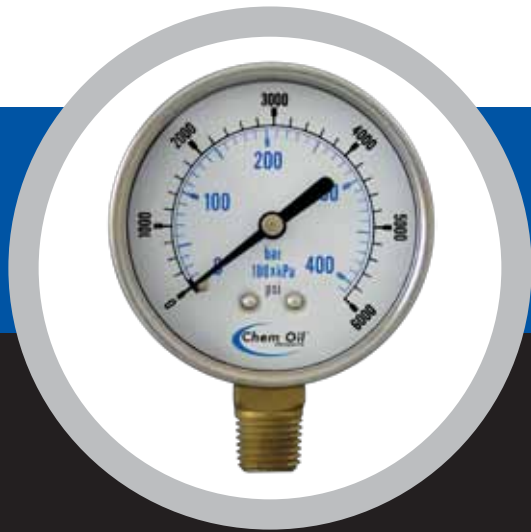
101D-204 / 102D-204



Specification:

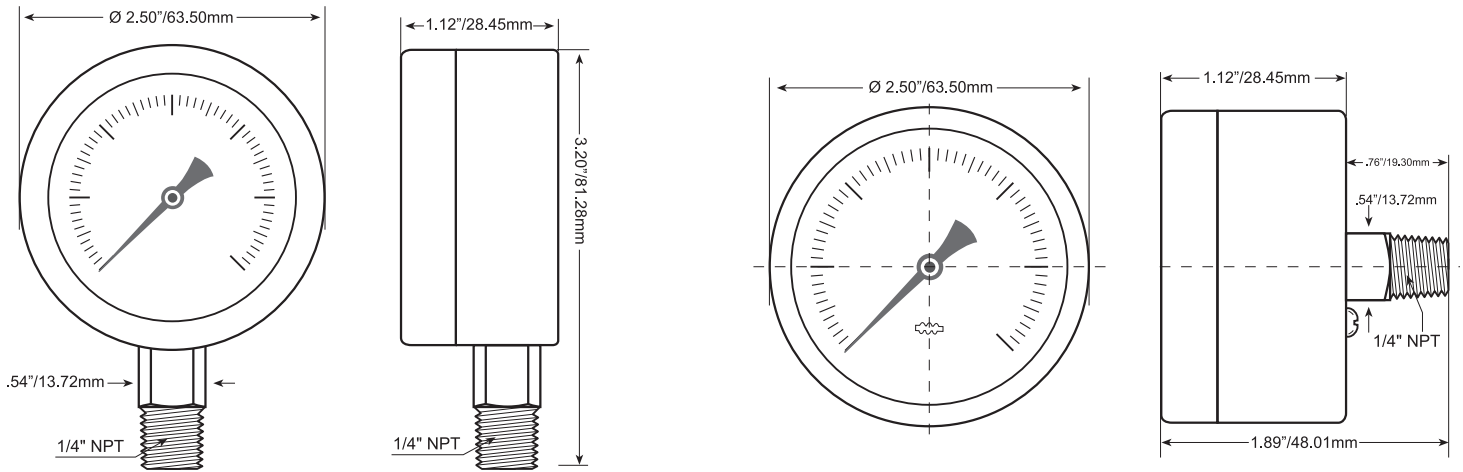
Model: 101D-204 (bottom connection) / 102D-204 (center back connection)
 Dial Size: 2" / 50mm
 Case: Steel with Chrome Ring
 Bezel: Chrome Steel
 Window: Acrylic
 Dial: Aluminum, White Background, Black and Blue Figures and Graduations
 Pointer: Aluminum, Black Finish
 Bourdon Tube: Phosphor Bronze
 Movement: Brass
 Connection: Brass, 1/4" NPT, G 1/4" BSP
 Accuracy: 3/2/3%
 Range: 30psi to 6,000psi
 Operating Temperature: 150°F / 65°C

How to order: Model/Pressure Range
 See last page in gauge section



Economy Gauge

101D-254 / 102D-254



Specification:

Model: 101D-254 (bottom connection) / 102D-254 (center back connection)

Dial Size: 2.5" / 63.5mm

Case: Steel with Chrome Ring

Bezel: Chrome Steel

Window: Acrylic

Dial: Aluminum, White Background, Black and Blue Figures and Graduations

Pointer: Aluminum, Black Finish

Bourdon Tube: Phosphor Bronze

Movement: Brass

Connection: Brass, 1/4" NPT, G 1/4" BSP

Accuracy: 3/2/3%

Range: Vacuum to 6,000psi

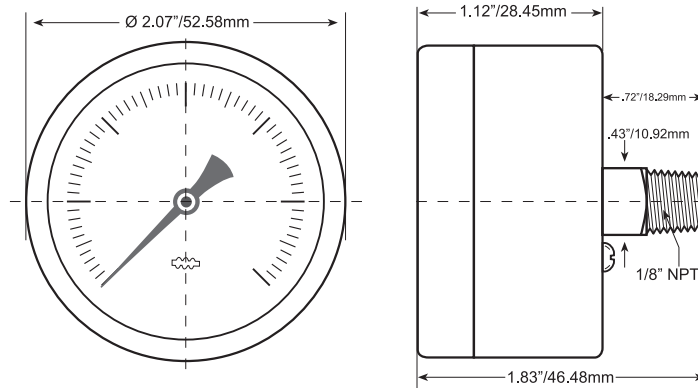
Operating Temperature: 150°F / 65°C

How to order: Model/Pressure Range
See last page in gauge section



Economy Gauge

102D-208



Specification:

Model: 102D-208

Dial Size: 2" / 50.8mm

Case: Steel with Chrome Ring

Bezel: Chrome Steel

Window: Acrylic

Dial: Aluminum, White Background, Black and Blue Figures and Graduations

Pointer: Aluminum, Black Finish

Bourdon Tube: Phosphor Bronze

Movement: Brass

Connection: Brass, 1/8" NPT, G 1/8" BSP

Accuracy: 3/2/3%

Range: 30psi to 6,000psi

Operating Temperature: 150°F / 65°C

How to order: Model/Pressure Range
See last page in gauge section