

Water Gauge Cock (SET) GGCOKSSY



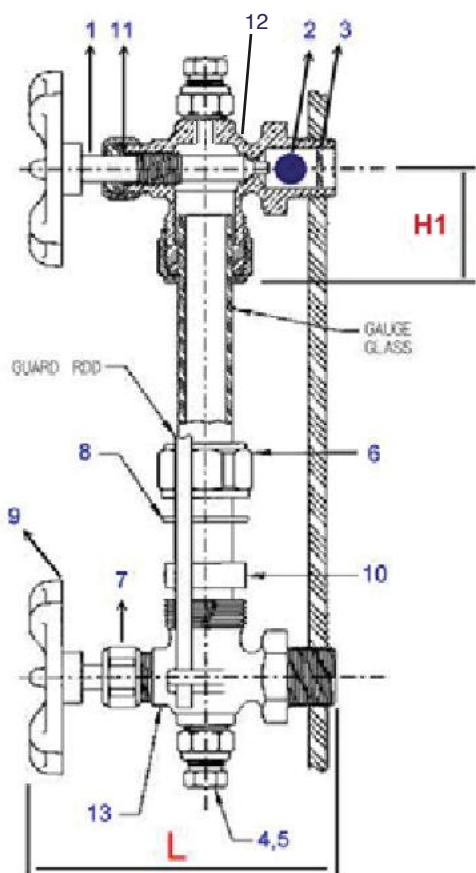
Water Gauge Cock (SET)

250 WSP

400 WOG

RISING STEM

ALUMINUM ALLOY HAND WHEEL BRONZE
CONFORMING TO ASTM B 62 WITH BALL CHECK
TEMPERATURE RATING 20°F to 180°F



H1	L
1.34"	4.53"

	Item.	Material
1	Stem	Brass
2	Ball	Brass
3	Washer	SS 301
4	Drain Valve	Brass
5	Drain Valve	Brass
6	Nut	Brass
7	Nut	Brass
8	Washer	Brass
9	Disc	Malleable Iron
10	Packing	NBR
11	Disk	Teflon
12	Body	Bronze
13	Body	Bronze

* Due to the continuous development of our products, design or construction may change without prior notice