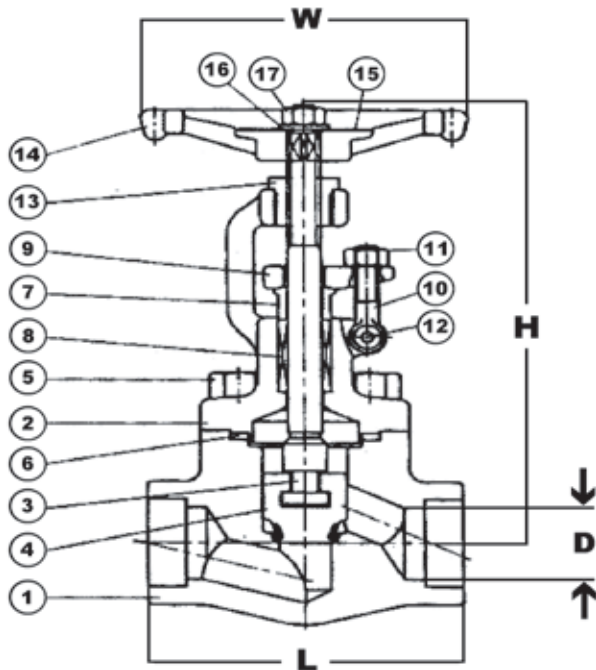


FORGED STEEL GLOBE VALVE

SERIES: 860T



SPECIFICATIONS
CLASS 800
STANDARD PORT
BOLTED BONNET
OUTSIDE SCREW & YOKE
THREADED OR SOCKET WELD ENDS
STAINLESS STEEL SPIRAL WOUND GASKET
INTEGRAL STELLITED SEATS
NACE MR0175



	PART	MATERIAL
1	BODY	A105
2	BONNET	A105
3	STEM	A276-410
4	DISC	A276-420
5	BONNET BOLT	A193-B7
6	GASKET	304+GRAPHITE
7	GLAND	A276-410
8	PACKING	GRAPHITE
9	GLAND FLANGE	WCB
10	GLAND BOLT	A276-410
11	GLAND BOLT NUT	A194-2H
12	GLAND BOLT PIN	A276-410
13	SLEEVE	A276-410
14	HANDWHEEL	A197
15	NAMEPLATE	ALUMINUM
16	HANDWHEEL WASHER	A108-1020
17	HANDWHEEL NUT	A194-2H

APPLICABLE STANDARDS:

1. BASIC DESIGN, API 602, & ANSI B16.34
2. SOCKET - WELD (S.W), ANSI B16.11
3. THREADED END (T.E), ANSI B1.20.1
4. VALVES TEST AND INSPECT: API 598

DIMENSIONS

SIZE	D	L	H	W	WEIGHT
STANDARD PORT	SEAT DIAMETER	END - TO - END	OPEN	HANDWHEEL DIAMETER	
IN	IN	IN	IN	IN	LBS.
1/2"	0.4	3.11	6.93	3.94	4.86
3/4"	0.52	3.63	6.93	3.94	5.24
1"	0.67	4.37	8.35	4.93	9.10
1-1/2"	1.19	5.99	10	6.30	17.62
2"	1.46	6.78	11.58	7.09	26.96
2-1/2"	1.83	7.88	12.88	7.88	50.00

* Due to the continuous development of our products, design or construction may change without prior notice