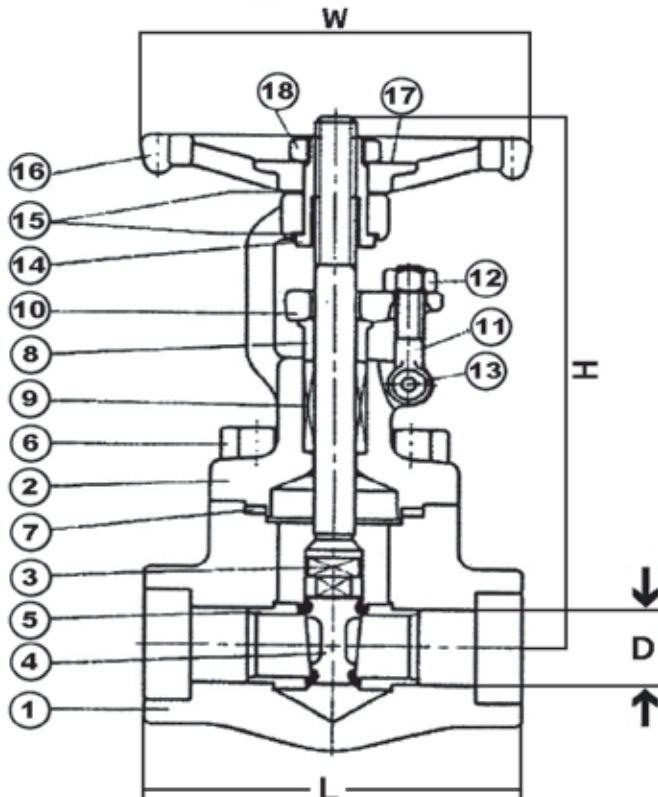


FORGED STEEL GATE VALVE

SERIES: 851T



SPECIFICATIONS

- CLASS 800**
- STANDARD PORT**
(not suitable of pigging operations)
- BOLTED BONNET**
- OUTSIDE SCREW & YOKE**
- THREADED OR SOCKET WELD ENDS**
- STAINLESS STEEL SPIRAL WOUND GASKET**
- HARDFACED SEATS**
- NACE MR0175**

	PART	MATERIAL
1	BODY	A105
2	BONNET	A105
3	STEM	A276-410
4	DISC	A276-420
5	SEAT RING	A276-410+STL
6	BONNET BOLT	A193-B7
7	GASKET	304+GRAPHITE
8	GLAND	A276-410
9	PACKING	GRAPHITE
10	GLAND FLANGE	WCB
11	GLAND BOLT	A276-410
12	GLAND BOLT NUT	A194-2H
13	GLAND BOLT PIN	A276-410
14	SLEEVE	A276-410
15	SLEEVE WASHER	A276-410
16	HANDWHEEL	A197
17	NAMEPLATE	ALUMINUM
18	HANDWHEEL NUT	A108-1020

APPLICABLE STANDARDS:

1. BASIC DESIGN, API 602, & ANSI B16.34
2. SOCKET - WELD (S.W), ANSI B16.11
3. THREADED END (T.E), ANSI B1.20.1
4. VALVES TEST AND INSPECT: API 598

SIZE		D		L		H		W		WEIGHT
STANDARD PORT		SEAT DIAMETER		END - TO - END		OPEN		HANDWHEEL DIAMETER		
IN	MM	IN	MM	IN	MM	IN	MM	IN	MM	LBS.
1/4"	8	0.28	7	3.11	79	6.54	166	3.94	100	4.88
1/2"	15	0.39	10	3.11	79	6.54	166	3.94	100	4.88
3/4"	20	0.54	13.6	3.63	92	6.66	169	3.94	100	5.20
1"	25	0.71	18	4.37	111	7.6	193	4.93	125	9.10
1-1/4"	32	0.95	24	4.73	120	9.06	230	6.30	160	15.00
1-1/2"	40	1.15	29	4.73	120	9.69	246	6.30	160	14.70
2"	50	1.45	36.8	5.52	140	11.15	283	7.09	180	24.10
2-1/2"	65	1.83	46.5	7	178	13	330	7.88	200	47.00

* Due to the continuous development of our products, design or construction may change without prior notice