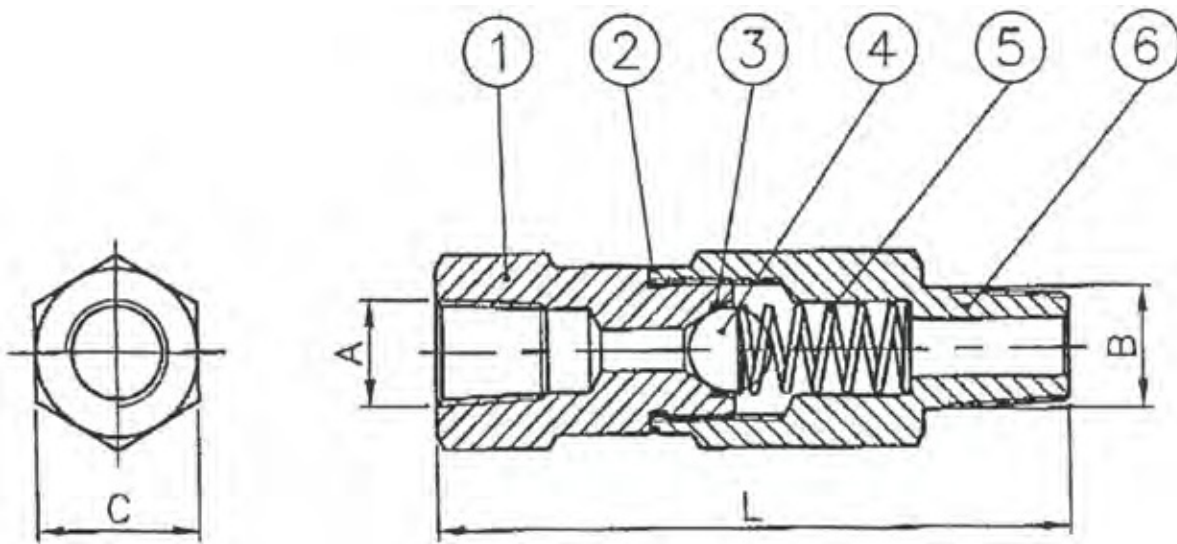


BRASS IN-LINE CHECK VALVE SERIES: INCVBR 3000 PSI PRESSURE RATING



Note :

1. Dimensions for reference purpose and are subject to change.
2. Pressure rating : 3000 psi

SPECIFICATIONS

	PART	MATERIAL
1	VALVE BODY (INLET)	BRASS
2	PACKING	SS 316
3	O-RING	VITON
4	CHECK BALL	SS 304
5	SPRING	SS 304
6	VALVE BODY (OUTLET)	BRASS

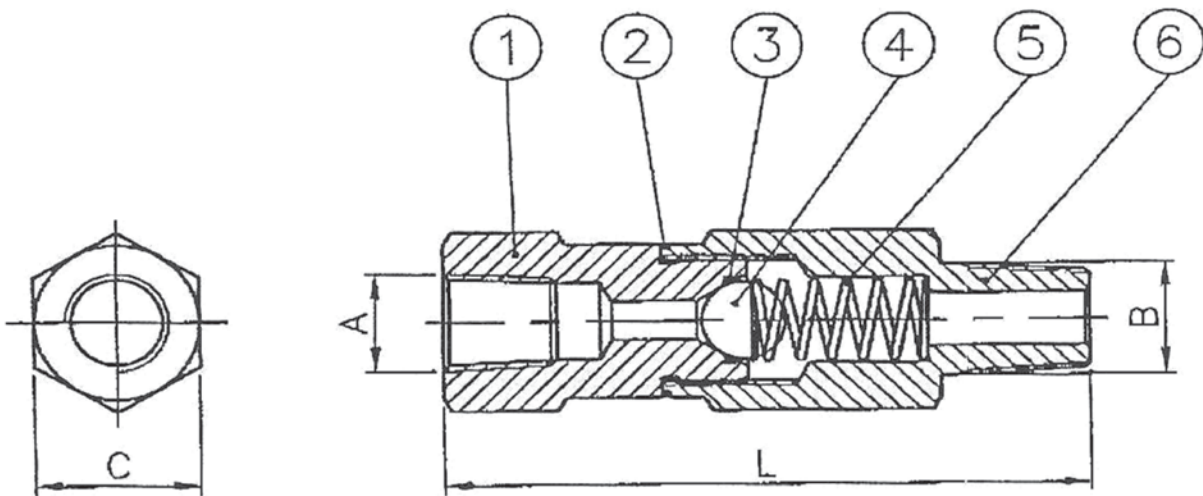
*Temperature range of -10 °F to 375 °F

DIMENSIONS (INCH)

SIZE	A	B	C	L
1/8"	1/8" NPT	1/8" NPT	0.75	2.92
1/4"	1/4" NPT	1/4" NPT	0.75	2.92

* Due to the continuous development of our products, design or construction may change without prior notice

STAINLESS STEEL IN-LINE CHECK VALVE
SERIES: INCVSS
6000 PSI PRESSURE RATING
NACE MR0175



SPECIFICATIONS

	PART	MATERIAL
1	VALVE BODY (INLET)	SS 316
2	PACKING	SS 316
3	O-RING	VITON/BUNA
4	BALL	SS 304
5	SPRING	SS 304
6	VALVE BODY (OUTLET)	SS 316

DIMENSIONS (INCH)

*Temperature range of -10 °F to 250 °F (BUNA) / -10 °F to 370 °F (VITON)

SIZE	A	B	C	L
1/8"	1/8" NPT	1/8" NPT	0.75	2.92
1/4"	1/4" NPT	1/4" NPT	0.75	2.92
1/2"	1/2" NPT	1/2" NPT	1.06	2.97
3/4"	3/4" NPT	3/4" NPT	1.26	3.33
1"	1" NPT	1" NPT	1.26	3.33

* Due to the continuous development of our products, design or construction may change without prior notice