

# GROOVED END BUTTERFLY VALVE

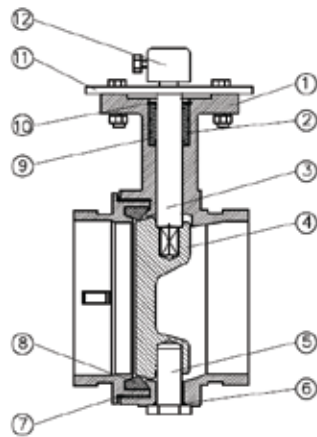
## GRBF SERIES



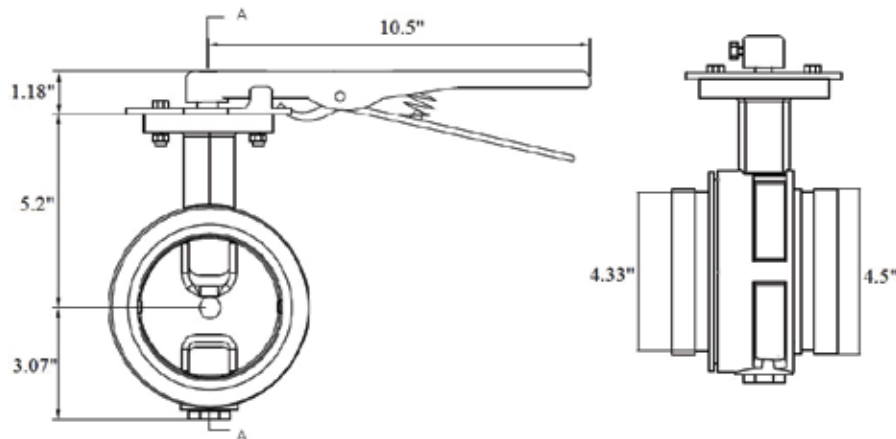
### Specification:

#### GROOVED END BUTTERFLY VALVES - 4"

- Ductile Iron body
- CWP: 300 PSI
- Design Code : MSS SP 67
- End Standard: AWWA C606
- Inspection and Test Standard: API 598



12	LEVER	MALLEABLE IRON	1
11	POSITIONING PLATE	CARBON STEEL	1
10	SPRING	CARBON STEEL	1
9	BUSHING	BROAZE	1
8	SEAT	NBR	1
7	O-RING	NBR	1
6	O-RING	NBR	1
5	STEM	SS410	1
4	DISC	DI	1
3	STEM	SS410	1
2	O-RING	NBR	4
1	BODY	DI	2
NO.	PARTS NAME	MATERIAL	QTY



\* Due to the continuous development of our products, design or construction may change without prior notice.