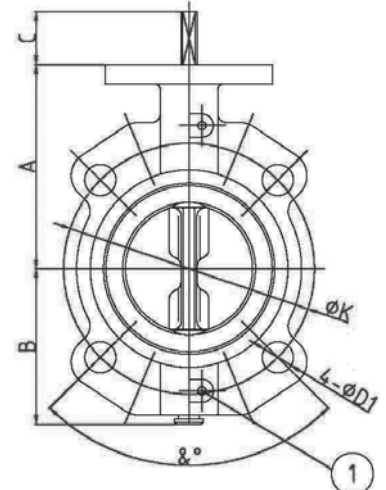
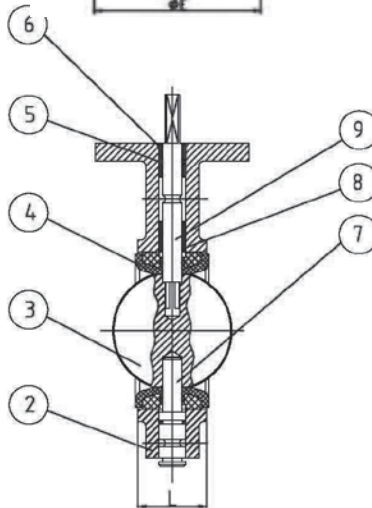
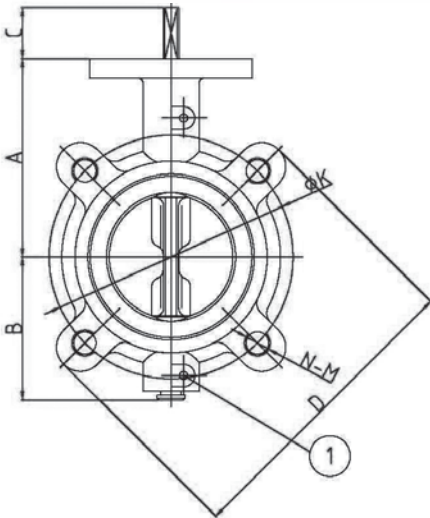
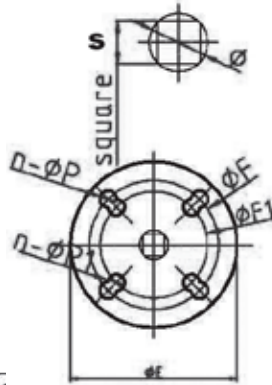


DUCTILE IRON X STAINLESS STEEL BUTTERFLY

200 PSI SERIES: 2014L



PARALLEL SQUARE HEAD DRIVEN



ADDITIONAL WAFER SPECS

	4-øD1	8°
2"	4-3/4"	90
2.5"	4-3/4"	90
3"	4-3/4"	90
4"	4-3/4"	45
5"	4-7/8"	45
6"	4-7/8"	45
8"	4-7/8"	45
10"	4-1"	30
12"	4-1"	30

MATERIAL LIST

1	PIN	65MN
2	BODY	ASTM A536 65-45-12
3	DISC	ASTM A351-CF8M
4	SEAT	BUNA-N
5	O-RING	BUNA-N
6	SHORT BUSHING	PTFE
7	DOWN SHAFT	SS 416
8	LONG BUSHING	PTFE
9	UP SHAFT	SS 416

ADDITIONAL LUG SPECS

	M	N	D
2"	5/8"-11	4	6
2.5"	5/8"-11	4	7
3"	5/8"-11	4	7 1/2"
4"	5/8"-11	8	9
5"	3/4"-10	8	10
6"	3/4"-10	8	11
8"	3/4"-10	8	13 1/2"
10"	7/8"-9	12	16
12"	7/8"-9	12	19

	A	B	L	C	E	F	n-P	F1	ø	S	K
2"	3 15/16	3"	1 21/32"	1 1/4"	4"	2.76"	4-25/64"	2.76"	1/2"	.433"	4 3/4"
2.5"	4 19/32	3 11/32"	1 3/4"	1 1/4"	4"	2.76"	4-25/64"	2.76"	1/2"	.433"	5 1/2"
3"	4 29/32	3 21/32"	1 13/16"	1 1/4"	4"	2.76"	4-25/64"	2.76"	1/2"	.433"	6"
4"	6"	4 9/32"	2 5/32"	1 1/4"	4"	2.76"	4-25/64"	2.76"	5/8"	.433"	7 1/2"
5"	6 1/8"	4 27/32"	1 7/8"	1 1/4"	4"	2.76"	4-25/64"	2.76"	3/4"	.550"	8 1/2"
6"	6 11/16"	5 11/32"	1 15/16"	1 1/4"	4"	2.76"	4-25/64"	2.76"	3/4"	.670"	9 1/2"
8"	9 7/16"	6 17/32"	3 7/16"	1 3/4"	6"	4.01"	4-15/32"	4.01"	7/8"	.670"	11 3/4"
10"	11 7/32	7 27/32"	4"	1 3/4"	6"	4.01"	4-15/32"	4.01"	1 1/8"	.870"	14 1/4"
12"	11 13/16	9 3/8"	3 1/4"	1 3/4"	6"	4.01"	4-15/32"	4.01"	1 1/4"	.870"	17"

* Due to the continuous development of our products, design or construction may change without prior notice

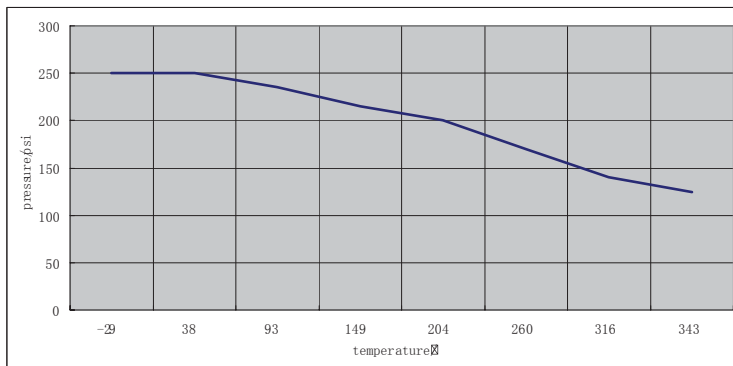
DUCTILE IRON X STAINLESS STEEL BUTTERFLY

200 PSI SERIES: 2014L



200PSI Torque

Pressure-temperature curve



SIZE	Torque(N. m)
2"	19
2.5"	30
3"	39
4"	62
5"	95
6"	138
8"	226
10"	360
12"	514

Flow coefficients

Cv Values(US-GPM @ 1/P)

Size	10°	20°	30°	40°	50°	60°	70°	80°	90°
2"	0.6	3	7	15	27	44	70	105	115
2.5"	0.1	6	12	25	45	75	119	178	196
3"	0.2	9	18	39	70	116	183	275	302
4"	0.3	17	36	78	139	230	364	546	600
5"	0.5	29	61	133	237	392	620	930	1022
6"	0.8	45	95	205	366	605	958	1437	1579
8"	2	89	188	408	727	1202	1903	2854	3136
10"	3	151	320	694	1237	2049	3240	4859	5340
12"	4	234	495	1072	1911	3162	5005	7507	8250