

ONE-PIECE 3 WAY BALL VALVE

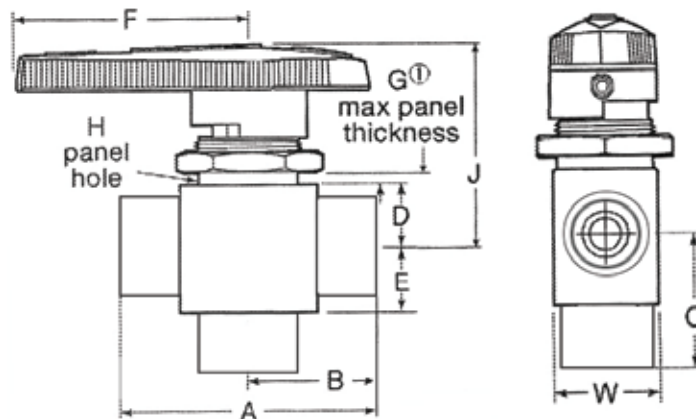
TFE3BV4F4FV



Material of Construction

1. Handle: Nylon with brass insert
2. Set Screw: 304 Stainless steel
3. Packing bolt: 316 Stainless steel
4. Spring: 316 Stainless steel
5. Gland: 316 Stainless steel
6. Ball Stem: 316 Stainless steel
7. Packing: Modified PTFE
8. Side rings: 316 Stainless steel
9. Side discs: 316 Stainless steel
10. Panel nut: 316 Stainless steel
11. Body: 316 Stainless steel, One-piece

Dimension:



Code	A	B	C	D	E	F	G	H	W
inch	2.07	1.03	1.0	0.45	0.45	1.5	0.05	0.75	0.79

Working Pressure: 2500psi (172bar)

Testing Pressure: 3250psi (224bar)

* Due to the continuous development of our products, design or construction may change without prior notice.