

STAINLESS STEEL HIGH PRESSURE BALL VALVE

SERIES: 6000 WSW



Specification:

Stainless Steel High Pressure Ball Valve - 6,000 PSI

- 2-Piece Threaded, Full Port 1/4" – 1 1/2".
- 2" Reduced Port.
- Seal weld construction Ball Valve
- ASTM A351 CF8M;
- Rating of 6000 CWP
- NACE MR-01-75 compliant
- Tested as per API 598
- Locking device handle
- Blowout proof Ball Valve stem
- Anti-static Ball Valve device
- Mounting pad.

Dimensions:

Dimensions and Sizes:

Dimensions	1/4"	3/8"	1/2"	3/4"	1"	1 1/4"	1 1/2"	2"
D	0.39	0.47	0.5	0.75	1.00	1.25	1.49	1.49
L	4.37	4.37	4.37	4.37	5.39	5.90	6.30	6.30
H	2.44	2.44	2.44	2.71	3.58	3.74	5.23	5.35
W	5.70	5.70	5.70	7.48	7.48	8.66	10.00	10.00

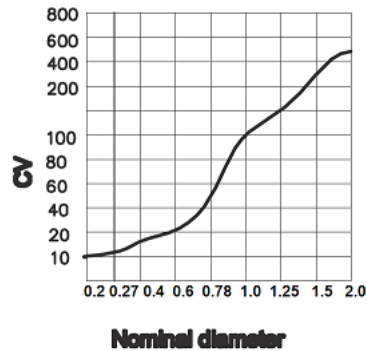
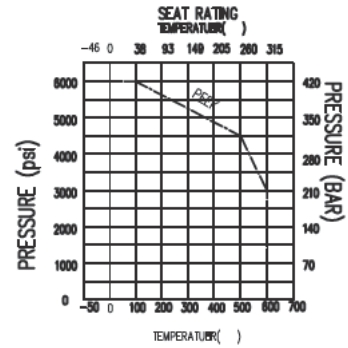
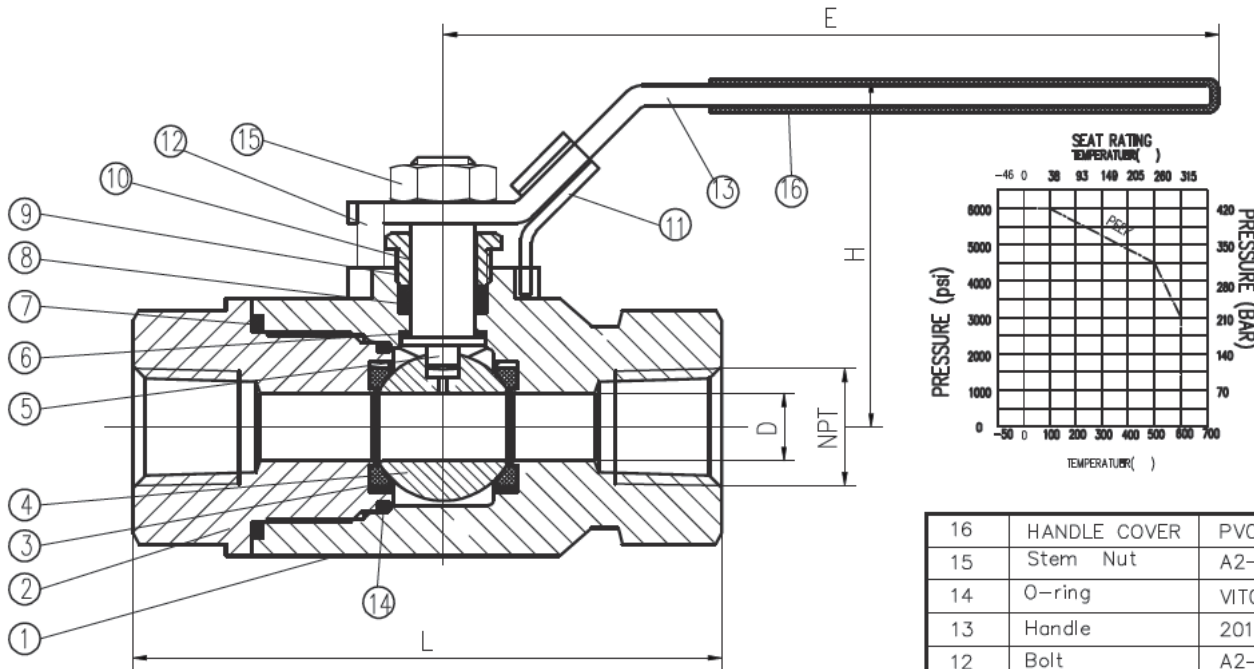
Torque:

Size	1/4"	1/2"	3/4"	1"	1 -1/4"	1 - 1/2"	2"
Ft-Lbs	20.6	20.6	33.2	73.7	92.1	165.8	165.8

* Due to the continuous development of our products, design or construction may change without prior notice.

STAINLESS STEEL HIGH PRESSURE BALL VALVE

SERIES: 6000 WSW



16	HANDLE COVER	PVC
15	Stem Nut	A2-70
14	O-ring	VITON
13	Handle	201
12	Bolt	A2-70
11	LOCKING	304
10	Gland	304
09	Packing	GRAPHITE
08	O-ring	VITON
07	Gasket	GRAPHITE
06	Thrust Washer	PEEK
05	Stem	316
04	Ball	316
03	Seat	PEEK
02	Cap	CF8M
01	Body	CF8M
No.	Part Name	Material

* Due to the continuous development of our products, design or construction may change without prior notice.