

Stainless Steel 1 PIECE BALL VALVE

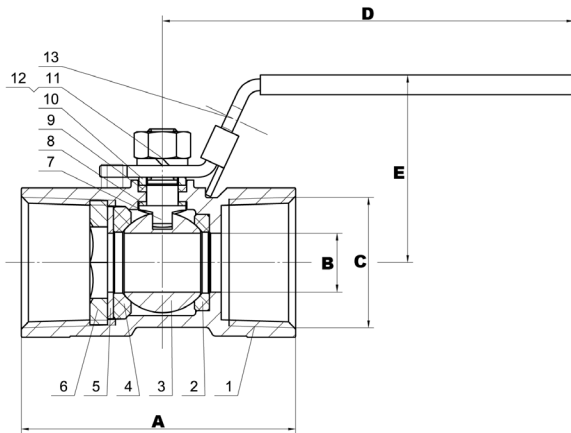
SERIES: 1017S



Specification:

Stainless Steel 1 Piece Ball Valve - 1000 PSI

- 1000PSI STAINLESS STEEL
- 1 PIECE BALL VALVE



	PART	QTY.	MATERIAL
1	BODY	1	A351 CF8M
2	SEAT RING 1	1	PTFE
3	BALL	1	A351 CF8M
4	SEAT RING 2	1	PTFE
5	GASKET	1	304/316
6	NUT	1	304/316
7	STEM	1	A276 304/316
8	STEM WASHER	1	PTFE
9	PACKING	2	PTFE
10	GLAND	1	304
11	HANDLE	1	A240 304
12	SPRING WASHER	1	304
13	NUT	1	304

NOMINAL PRESSURE	1,000psi	
SHELL TEST PRESSURE	1508 psi	10.4 Mpa
SEAL TEST PRESSURE	1102 psi	7.6 Mpa
SET TEST PRESSURE	87 psi	0.6 Mpa
APPLICABLE TEMPERATURE	-20 F to 356 F	-29 C 180 C

Dimensions and Sizes:

SIZE	A	B	C	D	E
1/4"	1.57"	.20"	1/4"	2.76"	1.34"
3/8"	1.77"	.28"	3/8"	2.76"	1.42"
1/2"	2.17"	.35"	1/2"	3.54"	1.54"
3/4"	2.36"	.47"	3/4"	3.54"	1.69"
1"	2.76"	.59"	1"	4.13"	1.81"
1 1/4"	3.15"	.79"	1 1/4"	4.72"	2.09"
1 1/2"	3.39"	.98"	1 1/2"	5.19"	2.32"
2"	4.02"	1.26"	2"	5.51"	2.56"

* Due to the continuous development of our products, design or construction may change without prior notice.