

FREEZE RESISTANT BALL VALVE

SERIES: TRD



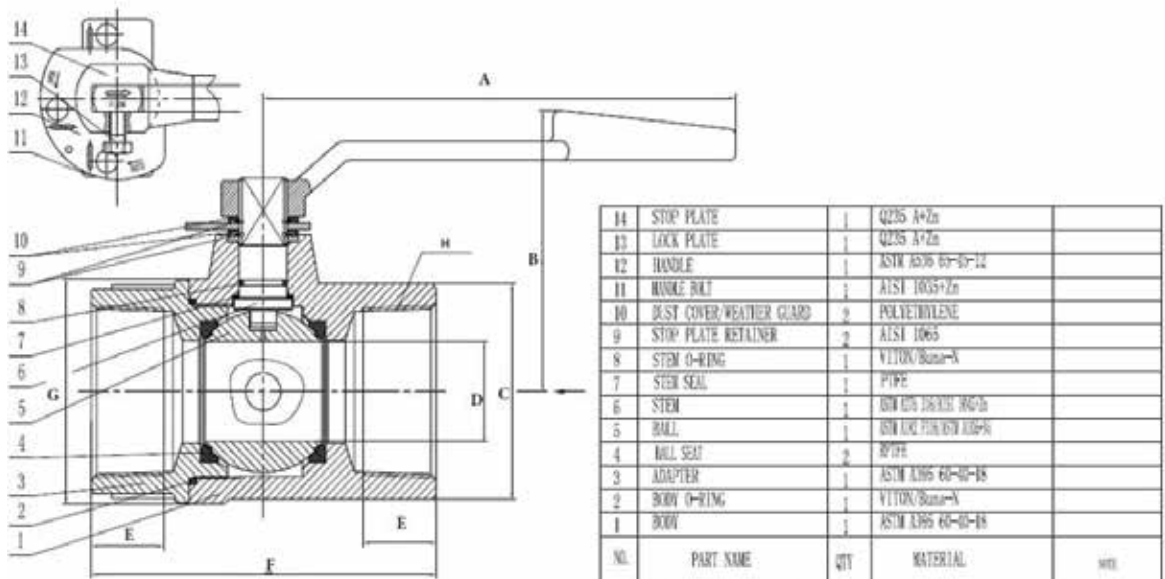
Specification:

FREEZE RESISTANT BALL VALVE

UVI/Chem-Oil now offers a Uni-Directional modification option to prevent the likelihood of a temporary freeze resulting in a permanent damage of the valve.

The integration of the relief hole in the upstream side of the closed ball renders the temporary freeze by allowing the dissipation of the increased internal pressure.

- Threaded Body Construction
- 750 PSI Working Pressure
- Multi Seal Seats
- NACE Compliance
- Fire Safe Design
- Multi Seal Seats
- High Grade Ductile Iron



* Due to the continuous development of our products, design or construction may change without prior notice.

FREEZE RESISTANT BALL VALVE

SERIES: TRD

TRD SERIES

Dimensional Data (in.)

Size	A	B	C	D	E	F	G	H-THREAD
2"	8.45	4.55	3.33	1.5	1.31	5.51	3.46	2"-11.5 NPT
3"	10	5.63	4.33	2	1.53	7.3	4.48	3"- 8 NPT
4"	15	7.37	5.82	3	1.63	8.83	6.06	4" - 8 NPT