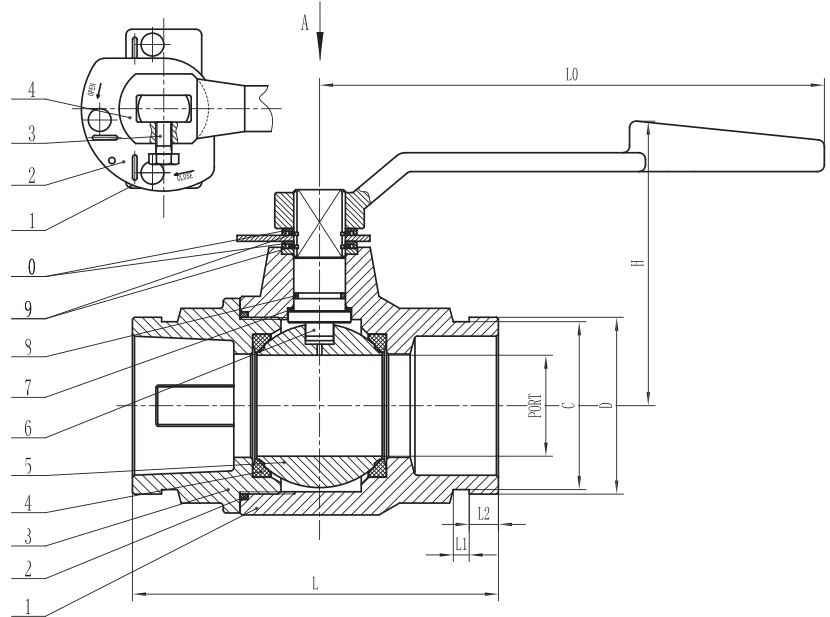


# GROOVED END BALL VALVE

SERIES: GRD



## Specification:

- Lever Operated Ball Valve
- 750 PSI WP
- High Grade D.I.
- 316 SS Ball and Stem
- Multi-Seat Design
- Maintenance Free Sealing
- 2" & 3"

SPECIFICATIONS		
NOMINAL PRESSURE	750psi	5.17 Mpa
SHELL STRENGTH (WATER)	1125psi	7.8 Mpa
HIGH SEALING TEST ( WATER)	825psi	5.8 Mpa
LOW SEALING TEST ( WATER)	87psi	0.6 Mpa

14	Handle	1	ASTM A536 65-45-12
13	Handle Bolt	1	AISI 1035 + Zn
12	Lock Plate	1	Q235-A + Zn
11	Stop Plate	1	Q235-A + Zn
10	Cover	2	PVC
9	Plate Retainer	2	AISI 1065
8	O-Ring	1	Viton/Buna-N
7	Seal	1	RPTFE
6	Stem	1	ASTM A276 316/AISI 1045 + Zn
5	Ball	1	ASTM A182 F316/ASTM A105 + Ni
4	Seat	2	RPTFE
3	End Adapter	1	ASTM A395 60-40-18
2	O-Ring	1	Viton
1	BODY	1	ASTM A395 60-40-18
NO.	PART	QTY	MATERIAL

## GRD SERIES

Weights (LBS) • Dimensions (IN)

ITEM CODE	SIZE	PORT	L	D	C	L1	L2	H	LO	CV	WEIGHT
207GRD263L	2	1.5	5.12	2.36	2.25	0.315	0.58	4.90	8.54	5.51	7.90
307GRD263L	3	2	7.25	3.50	3.33	0.315	0.58	5.64	10	7.87	16.65

\* Due to the continuous development of our products, design or construction may change without prior notice.