

# BOLTED BONNET BALL VALVE

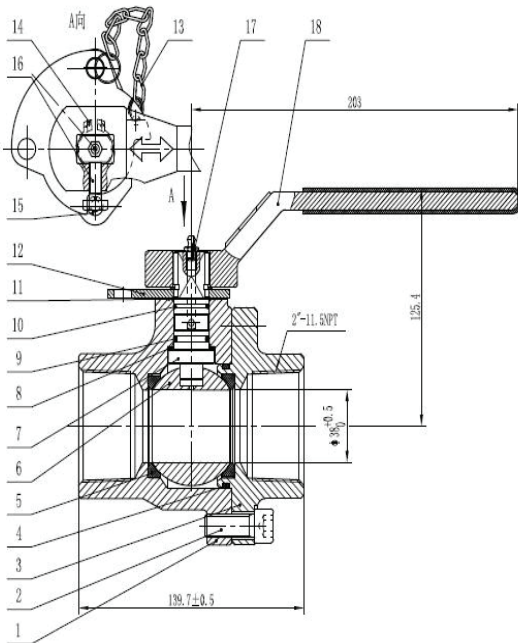
SERIES: TRC 5000



## Specification:

### BOLTED BONNET BALL VALVE - 2"

- Multi-Seal Seats
- Lever Operated Ball Valve
- Bolted Body Protects Against End Adapter Blowout
- Bolted Body Construction
- Fire Safe Design
- CWP 5000 psi
- Nace Valves include 316 Stainless Steel Ball and Steam
- Maintain Free sealing
- Rugged Locking Device Standard



No.	Part	Material	Qty.
1	BODY	ASTM A216 WCB	1
2	CAP SCREW	ASTM A193 B7	6
3	ADAPTER	ASTM A216 WCB	1
4	BODY O RING	VITON	1
5	BALL SEAT	PTFE/RPTFE/DELRIN	2
6	BALL	SS304/SS316	1
7	STEM	SS304/SS316	1
8	THRUST BEARING	PTFE	1
9	STEM SEAL O RING	VITON	1
10	STEM SEAL O RING	VITON	1
11	STEM BEARING	PTFE	1
12	STOP PLATE	STEEL PLATED	1
13	PIG WITH CHAIN	STEEL	1
14	RETAINER	STEEL PLATED	1
15	STOP	STEEL	1
16	SCREW	STEEL	1
17	GREASE ZERK	STEEL	1
18	HANDLE	DUCTILE IRON	1

\* Due to the continuous development of our products, design or construction may change without prior notice.