

# UNIBODY CARBON STEEL BALL VALVE

SERIES: 2027WC



## Specification:

- The components of the Unibody Carbon Steel Ball Valve are made of the following:
  - > Body (Single piece): Cast Carbon Steel ASTM A216-WCB Temperature range (-20 to 800 deg F)
  - > Ball: ASTM A108-CS (Carbon Steel), chrome plated.
  - > Stem Packing: MPTFE (Modified PolyTetraFluoroEthylene)
  - > Seat & Stem Bearing: RPTFE (Reinforced PolyTetraFluoroEthylene)
  - > Lever & Grip: Steel, zinc plated w/vinyl.
  - > Retainer: ASTM A 108 CS
  - > Gland Nut: ASTM A 108 CS
  - > Stem: ASTM A 108 CS
  - > Lever nut (Screw 1/4" to 1/2"): ASTM A283 Carbon Steel
- The design of the Unibody Valves conform to ASME B 16.34.
- NPT threads conform to ASME B1.20.1
- Fire safe to API 607 4TH Edition.
- NACE MR01-75 Compliant.

### 2027C SERIES

- 1/4"
- 1/2"
- 3/4"
- 1"

### ENGINEER APPROVAL

JOB: \_\_\_\_\_ DATE: \_\_\_/\_\_\_/\_\_\_

MEETS DIMENSIONAL SPECIFICATIONS:  YES  NO

MEETS MATERIAL SPECIFICATIONS:  YES  NO

MEETS PRESSURE / TEMPERATURE SPECIFICATIONS:  YES  NO

NOTES: \_\_\_\_\_

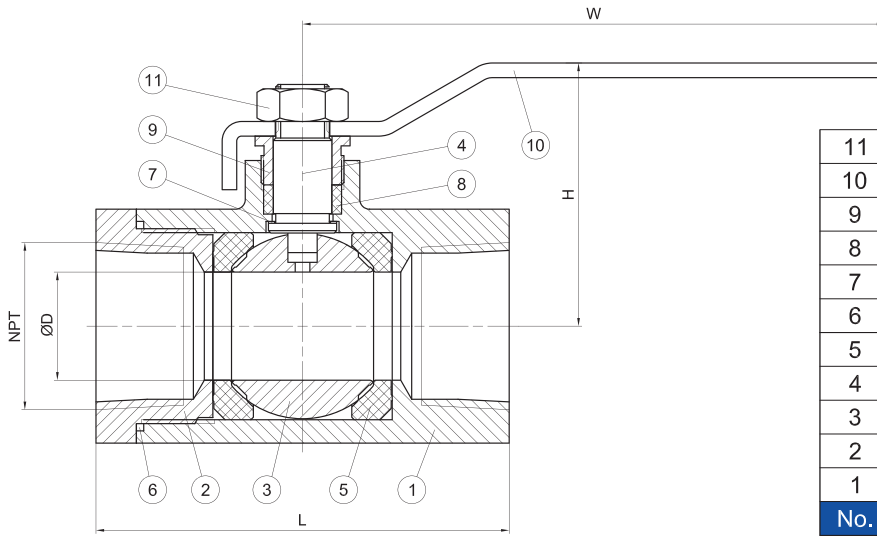
ENGINEER NAME: \_\_\_\_\_

ENGINEER SIGNATURE: \_\_\_\_\_

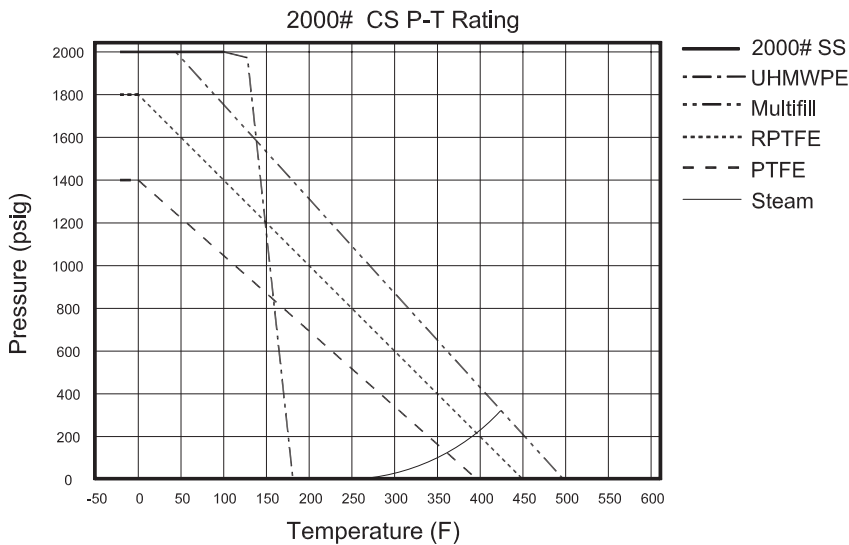
\* Due to the continuous development of our products, design or construction may change without prior notice.

# UNIBODY CARBON STEEL BALL VALVE

## SERIES: 2027WC



11	Nut	SS
10	Handle	CS+Zn with vinyl
9	Gland Flange	A108
8	Packing	R.PTFE
7	Thrust Bearing	R.PTFE
6	Gasket	R.PTFE
5	Seat	R.PTFE
4	Stem	A108
3	Ball	SS304
2	Cap	A105
1	Body	A105
No.	Part Name	Material



### Cv Factor Limit:

SIZE	1/4"	1/2"	3/4"	1"
Cv	8.4	15	30	43

### Pressure Limit:

2000 PSI		
Shell Test	3000	PSI
High Pressure Test	2200	
Low Pressure Test	80	
In point Medium	water, gas, oil etc.	
In point Temperature	-20~350 F	

## 2027WC SERIES

### Weights (LBS) • Dimensions (IN) • QTY (Case Quantity)

ITEM CODE	SIZE	L	O.D.	NPT	H	W	QTY	WEIGHT
2027WC-02	1/4	2.13	0.37	1/4	1.72	3.85	2	0.85
2027WC-04	1/2	2.24	0.50	1/2	1.78	3.85	2	0.90
2027WC-05	3/4	2.99	0.68	3/4	2.07	4.75	2	1.89
2027WC-06	1	3.37	0.87	1	2.18	4.75	2	2.22