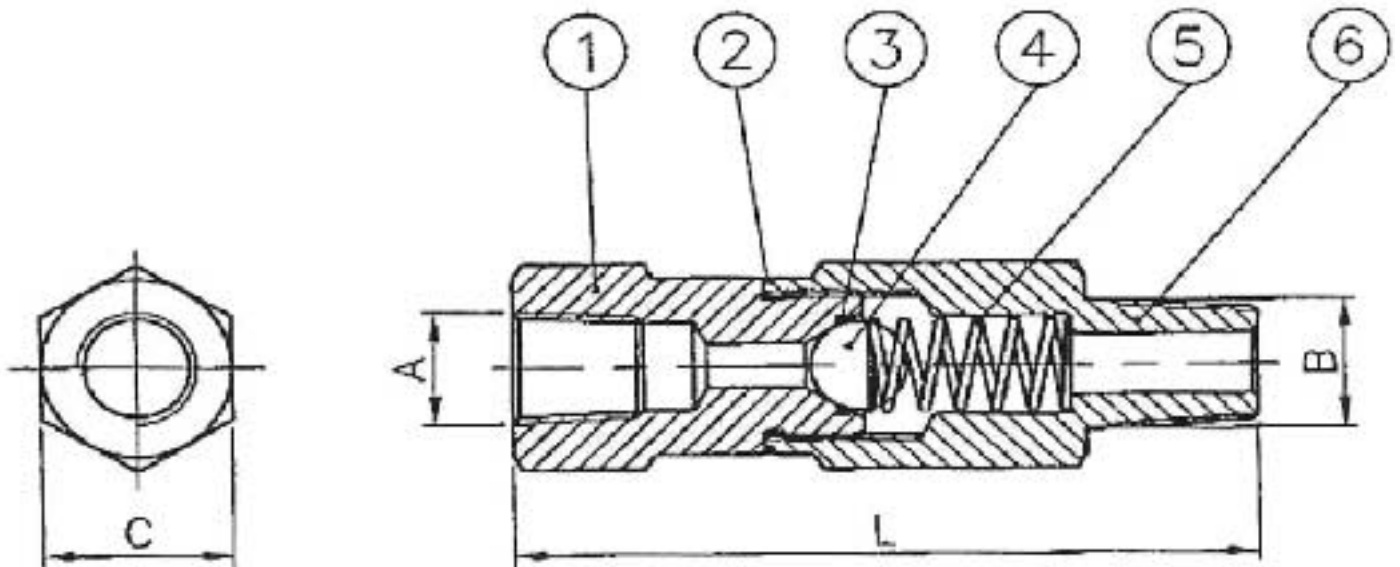
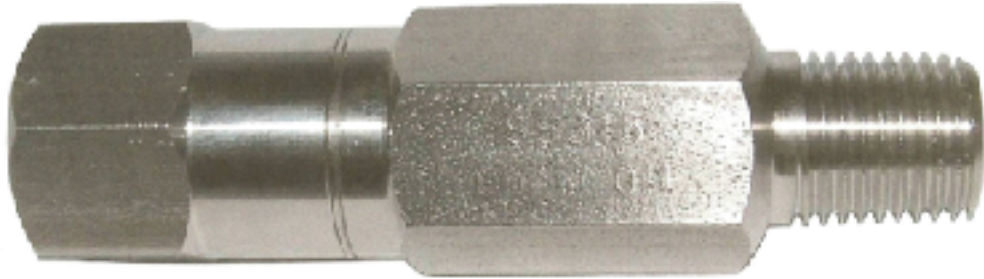


**STAINLESS STEEL IN-LINE CHECK VALVE
SERIES: COPINCVSS**



6000 PSI PRESSURE RATING



SPECIFICATIONS

	PART	MATERIAL
1	VALVE BODY (INLET)	SS 316
2	PACKING	SS 316
3	O-RING	VITON/BUNA
4	BALL	SS 304
5	SPRING	SS 304
6	VALVE BODY (OUTLET)	SS 316

DIMENSIONS (INCH)

SIZE	A	B	C	L
1/8"	1/8" NPT	1/8" NPT	0.75	2.92
1/4"	1/4" NPT	1/4" NPT	0.75	2.92
1/2"	1/2" NPT	1/2" NPT	1.06	2.97

** Due to the continuous development of our products, design or construction may change without prior notice*