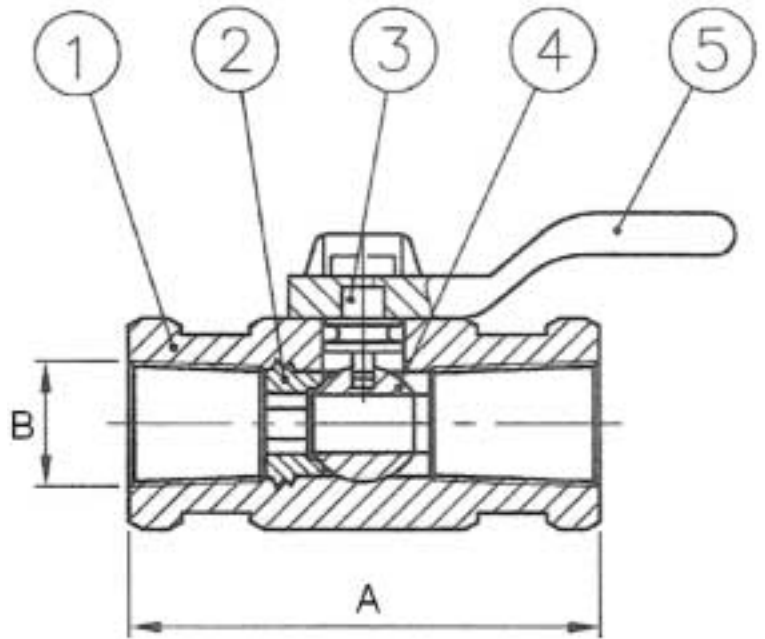
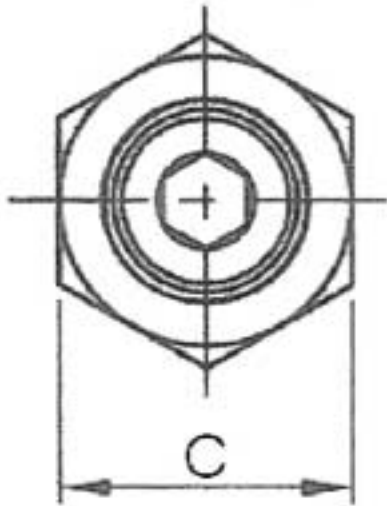


**MINI PANEL VALVE**  
**SERIES: COP86290**



**100 PSI PRESSURE RATING**



**SPECIFICATIONS**

NO.	ITEM	MATERIAL
1	Body	BRASS
2	Seat	PTFE
3	Stem	BRASS
4	Ball	BRASS
5	Handle	Zn Alloy

**DIMENSIONS**

A	B	C
1.752"	0.47"	0.689"

*\* Due to the continuous development of our products, design or construction may change without prior notice*