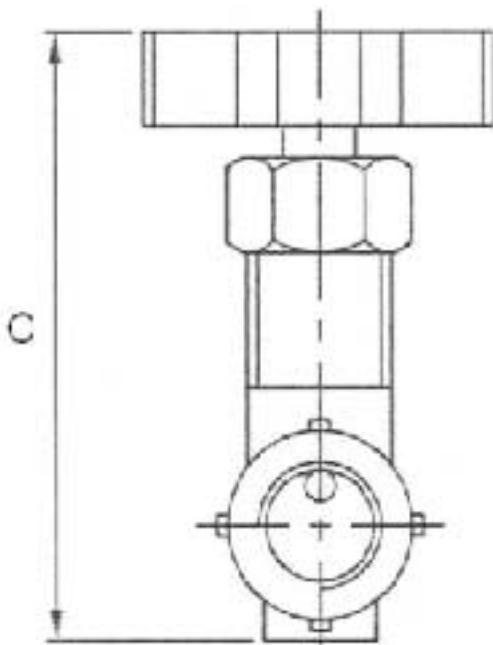
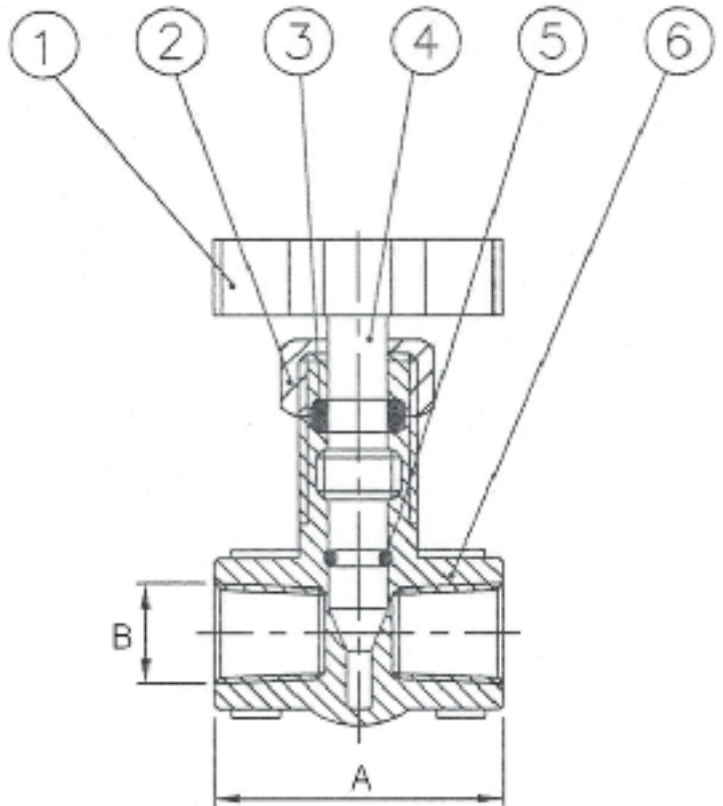
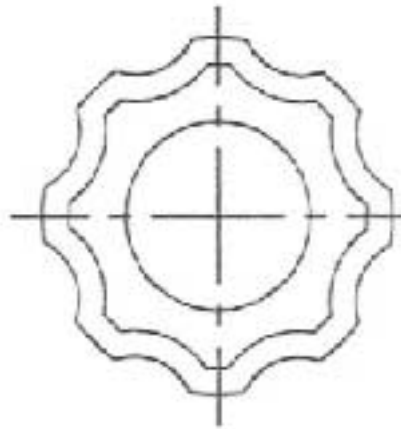




100 PSI PRESSURE RATING



SPECIFICATIONS

	ITEM	MATERIAL
1	Handle	ABS
2	Fixing Nut	BRASS
3	O - Ring	NBR
4	Stem	BRASS
5	O - Ring	NBR
6	Valve Body	BRASS

DIMENSIONS

A	B	C
1.338"	0.484"	2.284"