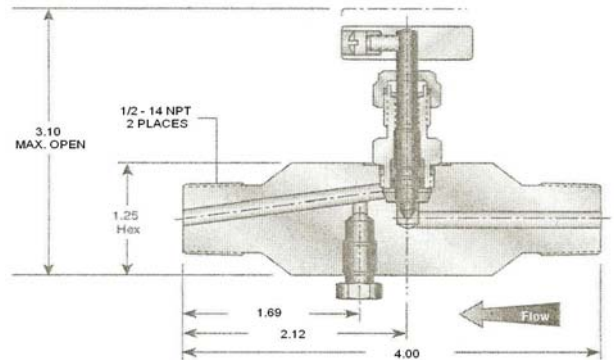
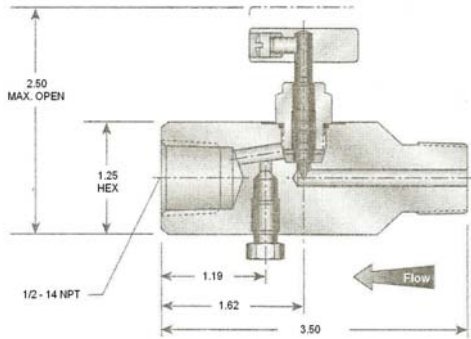
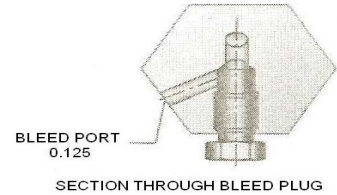
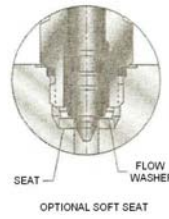


CARBON STEEL F X F BLEED VALVE SERIES : CPVB



STANDARD MATERIALS

METAL SEAT

VALVE	BODY	BONNET	STEM	PACKING	BLEED PLUG	SEAT
CS	A108 CS	A108 CS	A581-303 SS	TEFLON OR BUNA-N O-RING	A108 CS	INTEGRAL
SS	A479-316 SS	A479-316 SS	A276-316 SS	TEFLON, BUNA-N O-RING OR GRAFOIL	A276-316 SS	INTEGRAL

SOFT SEAT

VALVE	BODY	BONNET	STEM	PACKING	FLOW WASHER	BLEED PLUG	SEAT
CS	A108 CS	A108 CS	A581-303 SS	TEFLON OR BUNA-N O-RING	316 SS	A108 CS	DELTRIN
SS	A479-316 SS	A479-316SS	A276-316 SS	TEFLON OR VITON O-RING	316 SS	A276-316 SS	PCTFE

PRESSURE AND TEMPERATURE RATINGS

RATING WITH TEFLON OR GRAFOIL BONNET

HARD SEAT	6000 psig @ 200° F
	414 barg @ 93° C
DELTRIN & PCTFE	6000 psig @ 500° F
	276 barg @ 260° C

RATING WITH O-RING BONNET

HARD SEAT	6000 psig @ 200° F
	414 barg @ 93° C
DELTRIN & PCTFE	3000 psig @ 200° F
	207 barg @ 93° C

PRESSURE VS TEMPERATURE

