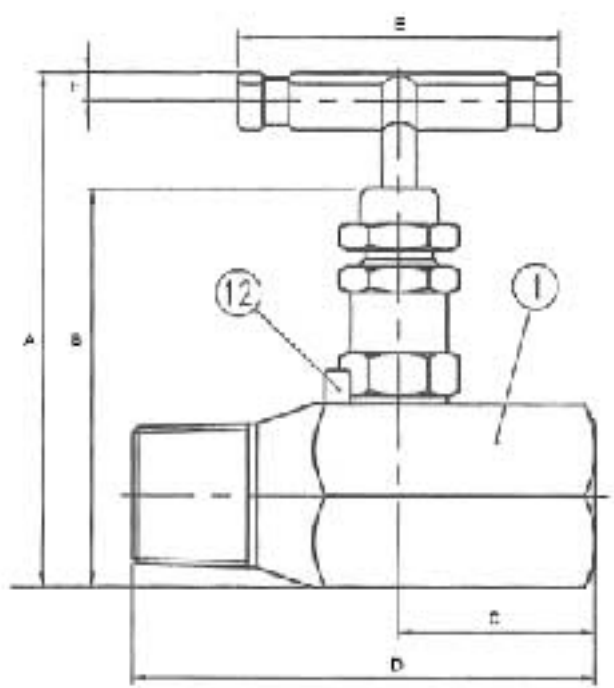
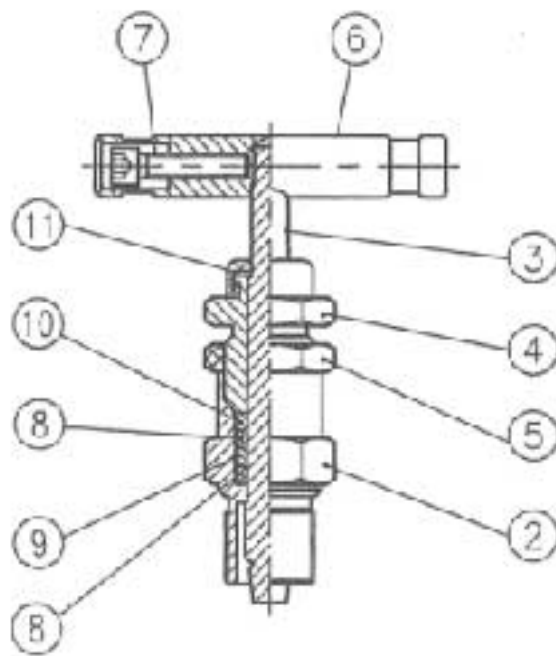




CARBON STEEL NEEDLE VALVE

SERIES: CPV-6000



SPECIFICATIONS

- RATED TO 6,000 PSI (V TYPE)
- CARBON STEEL CONSTRUCTION
- TEFLON/VITON PACKING AND SEALS
- WORKING TEMPERATURE -20 DEG F TO 200 DEG F
- THREADS CONFORM TO ASME B1.20.1
- AVAILABLE IN MxM, MxF, AND FxF

ITEM	MATERIAL	
1	VALVE BODY	CARBON STEEL
2	BONNET	CARBON STEEL
3	STEM	SS304
4	PACKING NUT	CARBON STEEL
5	FIXING SCREW	CARBON STEEL
6	HANDLE	CARBON STEEL
7	HANDLE FIXING SCREW	CARBON STEEL
8	PACKING	VITON
9	BACK UP RING	TEFLON
10	BACK UP RING	TEFLON
11	DUST CAP	NBR
12	BONNET LOCK PIN	SS303

DIMENSIONS- 6,000 PSI

NPS	PART #	DESCRIPTION	A	B	C	D	E	F
1/4"	COPCPV4M4FV	CARBON STEEL MXF 6,000 PSI	3.54	2.748	1.377	3.228	2.244	0.259
1/2"	COPCPV8M8FV	CARBON STEEL MXF 6,000 PSI	3.54	2.748	1.377	3.228	2.244	0.259
3/4"	COPCPV12M12FV	CARBON STEEL MXF 6,000 PSI	3.54	2.748	1.377	3.228	2.244	0.259
1"	COPCPV16M16FV	CARBON STEEL MXF 6,000 PSI	4.252	2.952	1.575	3.701	2.244	0.259

* Due to the continuous development of our products, design or construction may change without prior notice