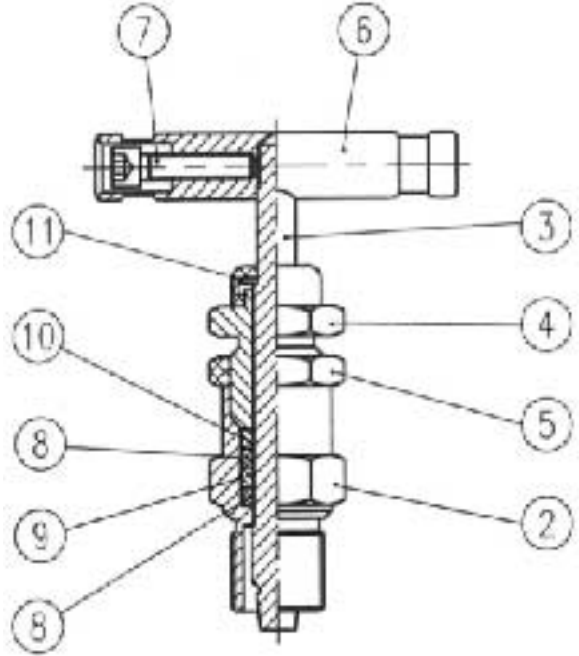


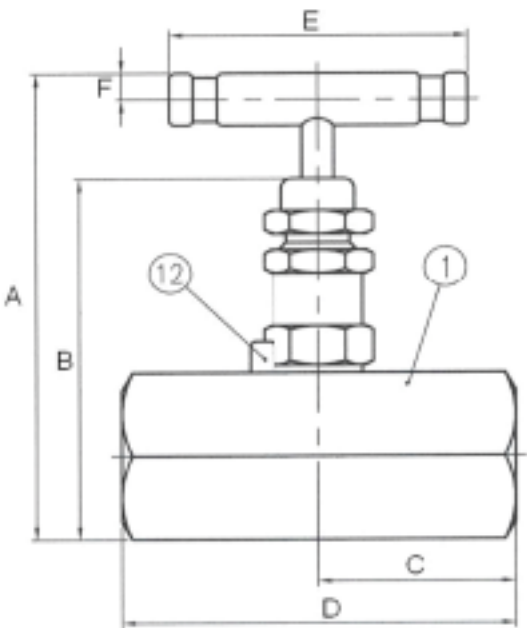
CARBON STEEL F X F NEEDLE VALVE
SERIES: CPV-6000



SPECIFICATIONS

RATED TO 6,000 PSI (T TYPE)
CARBON STEEL CONSTRUCTION
TEFLON PACKING

WORKING TEMPERATURE -20 DEG F TO 200 DEG F
THREADS CONFORM TO ASME B1.20.1



	ITEM	T TYPE
1	BODY	CARBON STEEL
2	BONNET	CARBON STEEL
3	STEM	SS 304
4	PACKING NUT	CARBON STEEL
5	FIXING SCREW	CARBON STEEL
6	HANDLE	CARBON STEEL
7	HANDLE FIXING SCREW	CARBON STEEL
8	PACKING	VITON O-RING
9	BACK UP RING	TEFLON
10	BACK UP RING	TEFLON
11	DUST CAP	NBR
12	BONNET LOCK PIN	SS 303

DIMENSIONS - 6,000 PSI

NPS	PART #	DESCRIPTION	A	B	C	D	E	F
1/4"	CPV4F4FV	CARBON STEEL F X F 6000 PSI	3.543	2.748	1.477	2.953	2.244	0.197
1/2"	CPV8F8FV	CARBON STEEL F X F 6000 PSI	3.543	2.748	1.477	2.953	2.244	0.197
3/4"	CPV12F12FV	CARBON STEEL F X F 6000 PSI	3.543	2.748	1.477	2.953	2.244	0.197
1"	CPV16F16FV	CARBON STEEL F X F 6000 PSI	3.543	2.748	1.477	2.953	2.244	0.197

* Due to the continuous development of our products, design or construction may change without prior notice