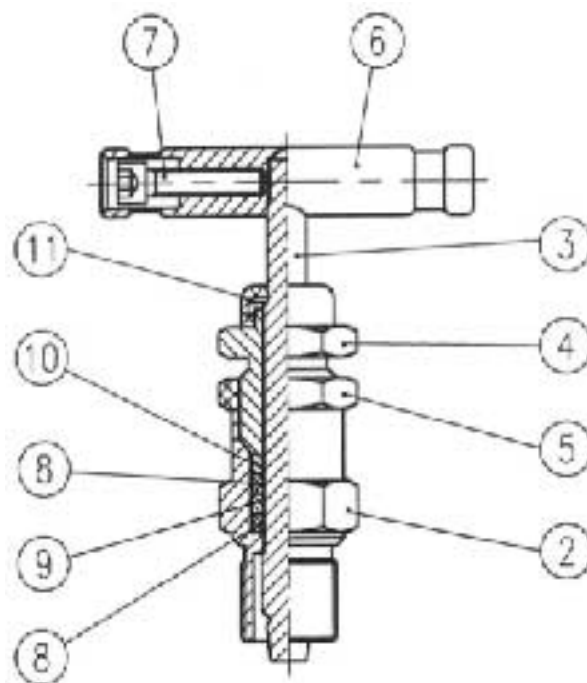


CARBON STEEL F X F NEEDLE VALVE

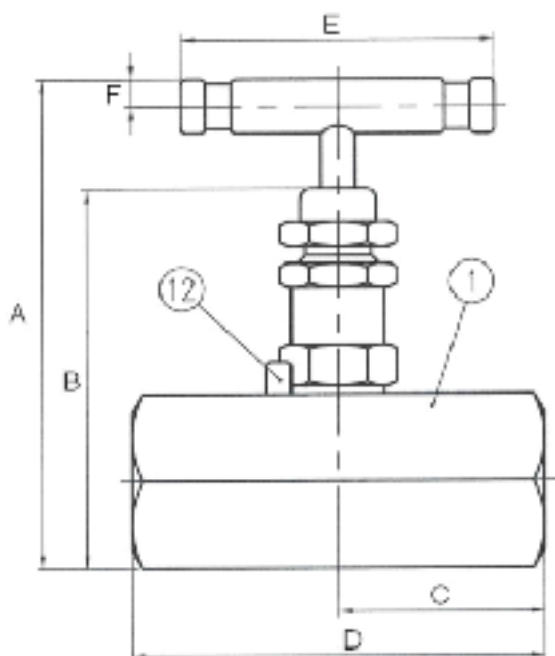
SERIES: CPV-10000



SPECIFICATIONS

RATED TO 10,000 PSI (T TYPE)
 CARBON STEEL CONSTRUCTION
 TEFLON PACKING

WORKING TEMPERATURE -20 DEG F TO 200 DEG F
 THREADS CONFORM TO ASME B1.20.1



	ITEM	T TYPE
1	BODY	CARBON STEEL
2	BONNET	CARBON STEEL
3	STEM	SS 304
4	PACKING NUT	CARBON STEEL
5	FIXING SCREW	CARBON STEEL
6	HANDLE	CARBON STEEL
7	HANDLE FIXING SCREW	CARBON STEEL
8	PACKING	TEFLON
9	BACK UP RING	TEFLON
10	BACK UP RING	TEFLON
11	DUST CAP	NBR
12	BONNET LOCK PIN	SS 303

DIMENSIONS - 10,000 PSI

NPS	PART #	DESCRIPTION	A	B	C	D	E
1/4"	CPV4F4FV	CARBON STEEL F X F 10000 PSI	3.859	1.496	2.953	2.244	0.197
1/2"	CPV8F8FV	CARBON STEEL F X F 10000 PSI	3.859	1.496	2.953	2.244	0.197
3/4"	CPV12F12FV	CARBON STEEL F X F 10000 PSI	3.859	1.496	2.953	2.244	0.197
1"	CPV16F16FV	CARBON STEEL F X F 10000 PSI	3.859	1.496	2.953	2.244	0.197

* Due to the continuous development of our products, design or construction may change without prior notice