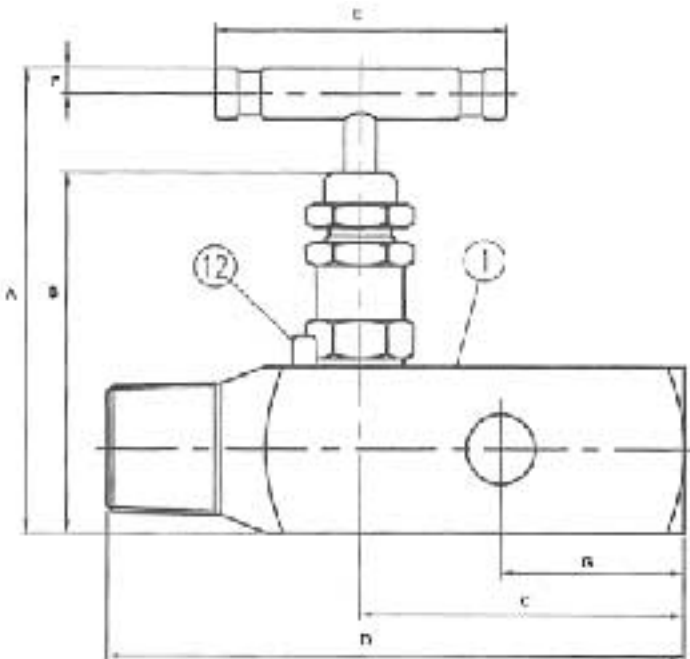


SPECIFICATIONS

RATED TO 6,000 PSI (V TYPE)
CARBON STEEL CONSTRUCTION
TEFLON/VITON PACKING AND SEALS
WORKING TEMPERATURE -20 DEG F TO 200 DEG F
THREADS CONFORM TO ASME B1.20.1



	ITEM	MATERIAL
1	VALVE BODY	CARBON STEEL
2	BONNET	CARBON STEEL
3	STEM	SS304
4	PACKING NUT	CARBON STEEL
5	FIXING SCREW	CARBON STEEL
6	HANDLE	CARBON STEEL
7	HANDLE FIXING SCREW	CARBON STEEL
8	PACKING	VITON
9	BACK UP RING	TEFLON
10	BACK UP RING	TEFLON
11	DUST CAP	NBR
12	BONNET LOCK PIN	SS303

DIMENSIONS- 6,000 PSI

NPS	PART #	DESCRIPTION	A	B	C	D	E	F	G
1/2"	COPCMP8M8FV	CARBON STEEL MX3F 6,000 PSI	3.54	2.748	2.499	4.449	2.244	0.1968	1.417
3/4"	COPCMP12M8FV	CARBON STEEL MX3F 6,000 PSI	3.54	2.748	2.499	4.449	2.244	0.1968	1.417

* Due to the continuous development of our products, design or construction may change without prior notice