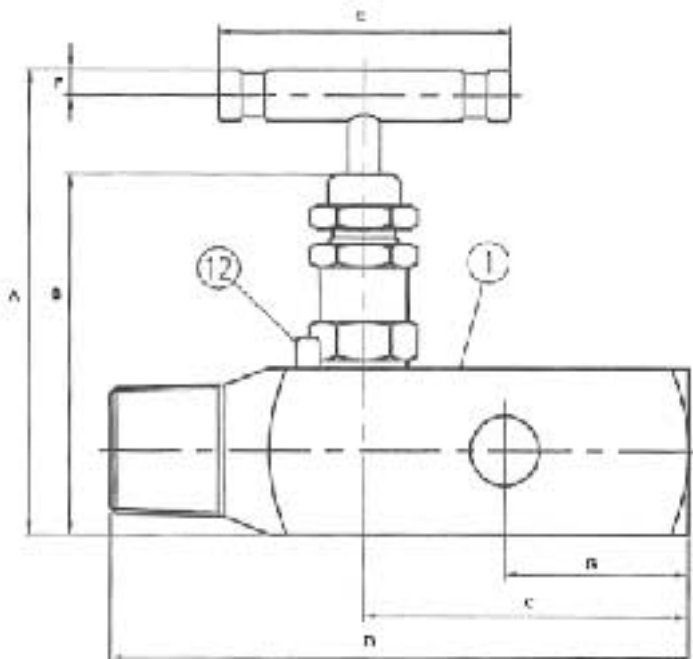


### SPECIFICATIONS

**RATED TO 10,000 PSI (T TYPE)**  
**CARBON STEEL CONSTRUCTION**  
**TEFLON PACKING**  
**WORKING TEMPERATURE -20 DEG F TO 200 DEG F**  
**THREADS CONFORM TO ASME B1.20.1**



ITEM	MATERIAL
1	VALVE BODY CARBON STEEL
2	BONNET CARBON STEEL
3	STEM SS304
4	PACKING NUT CARBON STEEL
5	FIXING SCREW CARBON STEEL
6	HANDLE CARBON STEEL
7	HANDLE FIXING SCREW CARBON STEEL
8	PACKING TEFLON
9	BACK UP RING SS 304
10	BACK UP RING SS 304
11	DUST CAP NBR
12	BONNET LOCK PIN SS303

### DIMENSIONS- 10,000 PSI

NPS	PART #	DESCRIPTION	A	B	C	D	E	F	G
1/2"	COPCMP8M8FT	CARBON STEEL MX3F 10,000 PSI	3.54	2.748	2.499	4.449	2.244	0.1968	1.417
3/4"	COPCMP12M8FT	CARBON STEEL MX3F 10,000 PSI	3.54	2.748	2.499	4.449	2.244	0.1968	1.417

\* Due to the continuous development of our products, design or construction may change without prior notice