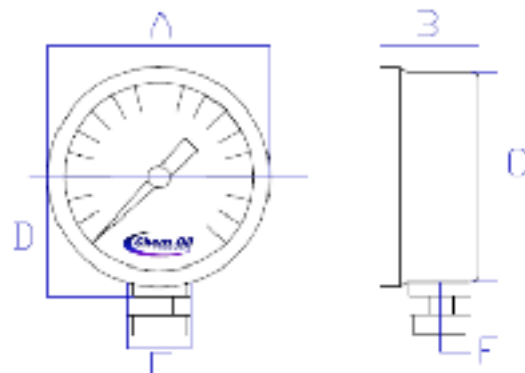


LIQUID FILLED STAINLESS STEEL GAUGES

SERIES: 300L



**BOTTOM CONNECTION
OR BACK CONNECTION**

SPECIFICATIONS

PART	MATERIAL
CASE	304 SS W/BLOW OUT FILLING PLUG
BEZEL	304 SS CRIMPED RING
DIAL	WHITE WITH BLUE AND BLACK LETTERING
POINTER	ADJUSTABLE, BLACK ALUMINUM WITH STOP
WINDOW	ACRYLIC
BOURDON TUBE	316 STAINLESS STEEL

PART	MATERIAL
CONNECTOR	316 STAINLESS STEEL
MOVEMENT	STAINLESS STEEL
CONNECTION	BOTTOM CONNECTION
EXECUTION	GLYCERIN
ACCURACY	1.6% OF SPAN

DIMENSIONS

SIZE	PART #	PRESSURE RANGE	CONNECTION	A	B	C	D	E	F	WEIGHT
2 1/2"	300L-254A	30/0 HG VAC	1/4" NPT BOTTOM	2.64	1.12	2.48	1.52	0.55	0.39	0.43
2 1/2"	300L-254CC	30/0/30	1/4" NPT BOTTOM	2.64	1.12	2.48	1.52	0.55	0.39	0.43
2 1/2"	300L-254C	0-30	1/4" NPT BOTTOM	2.64	1.12	2.48	1.52	0.55	0.39	0.43
2 1/2"	300L-254D	0-60	1/4" NPT BOTTOM	2.64	1.12	2.48	1.52	0.55	0.39	0.43
2 1/2"	300L-254E	0-100	1/4" NPT BOTTOM	2.64	1.12	2.48	1.52	0.55	0.39	0.43
2 1/2"	300L-254F	0-160	1/4" NPT BOTTOM	2.64	1.12	2.48	1.52	0.55	0.39	0.43
2 1/2"	300L-254G	0-200	1/4" NPT BOTTOM	2.64	1.12	2.48	1.52	0.55	0.39	0.43
2 1/2"	300L-254H	0-300	1/4" NPT BOTTOM	2.64	1.12	2.48	1.52	0.55	0.39	0.43
2 1/2"	300L-254K	0-600	1/4" NPT BOTTOM	2.64	1.12	2.48	1.52	0.55	0.39	0.43
2 1/2"	300L-254M	0-1000	1/4" NPT BOTTOM	2.64	1.12	2.48	1.52	0.55	0.39	0.43
2 1/2"	300L-254N	0-1500	1/4" NPT BOTTOM	2.64	1.12	2.48	1.52	0.55	0.39	0.43
2 1/2"	300L-254O	0-2000	1/4" NPT BOTTOM	2.64	1.12	2.48	1.52	0.55	0.39	0.43
2 1/2"	300L-254P	0-3000	1/4" NPT BOTTOM	2.64	1.12	2.48	1.52	0.55	0.39	0.43
2 1/2"	300L-254R	0-5000	1/4" NPT BOTTOM	2.64	1.12	2.48	1.52	0.55	0.39	0.43

SIZE	PART #	PRESSURE RANGE	CONNECTION	A	B	C	D	E	F	WEIGHT
4"	COP310LB-402A	30/0 HG VAC	1/2" NPT BOTTOM	4.09	1.77	3.9	2.48	0.87	0.67	1.81
4"	COP310LB-402CC	30/0/30	1/2" NPT BOTTOM	4.09	1.77	3.9	2.48	0.87	0.67	1.81
4"	COP310LB-402C	0-30	1/2" NPT BOTTOM	4.09	1.77	3.9	2.48	0.87	0.67	1.81
4"	COP310LB-402D	0-60	1/2" NPT BOTTOM	4.09	1.77	3.9	2.48	0.87	0.67	1.81
4"	COP310LB-402E	0-100	1/2" NPT BOTTOM	4.09	1.77	3.9	2.48	0.87	0.67	1.81
4"	COP310LB-402F	0-160	1/2" NPT BOTTOM	4.09	1.77	3.9	2.48	0.87	0.67	1.81
4"	COP310LB-402G	0-200	1/2" NPT BOTTOM	4.09	1.77	3.9	2.48	0.87	0.67	1.81
4"	COP310LB-402H	0-300	1/2" NPT BOTTOM	4.09	1.77	3.9	2.48	0.87	0.67	1.81
4"	COP310LB-402K	0-600	1/2" NPT BOTTOM	4.09	1.77	3.9	2.48	0.87	0.67	1.81
4"	COP310LB-402M	0-1000	1/2" NPT BOTTOM	4.09	1.77	3.9	2.48	0.87	0.67	1.81
4"	COP310LB-402N	0-1500	1/2" NPT BOTTOM	4.09	1.77	3.9	2.48	0.87	0.67	1.81
4"	COP310LB-402O	0-2000	1/2" NPT BOTTOM	4.09	1.77	3.9	2.48	0.87	0.67	1.81
4"	COP310LB-402P	0-3000	1/2" NPT BOTTOM	4.09	1.77	3.9	2.48	0.87	0.67	1.81
4"	COP310LB-402R	0-5000	1/2" NPT BOTTOM	4.09	1.77	3.9	2.48	0.87	0.67	1.81

* Due to the continuous development of our products, design or construction may change without prior notice