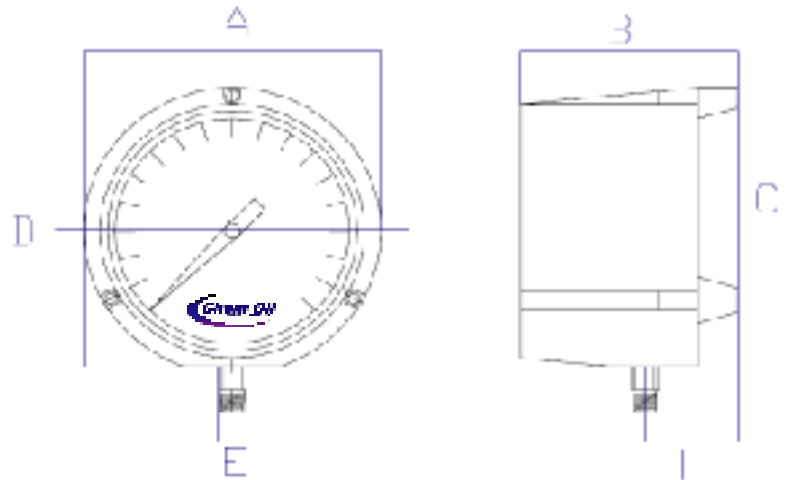


PROCESS PRESURE GAUGES

SERIES: COP450L



BOTTOM CONNECTION

SPECIFICATIONS

PART	MATERIAL
CASE	PHENOLIC PLASTIC
BEZEL	PHENOLIC PLASTIC
DIAL	WHITE WITH BLUE AND BLACK LETTERING
POINTER	BLACK ALUMINUM (MICRO ADJUSTABLE)
WINDOW	TEMPERED SAFETY GLASS
BOURDON TUBE	STAINLESS STEEL 316
CONNECTOR	STAINLESS STEEL 316
MOVEMENT	STAINLESS STEEL 304
CONNECTION	BOTTOM CONNECTION
EXECUTION	GLYCERIN
ACCURACY	+/- 0.5% F.S.D.

DIMENSIONS

SIZE	PART #	PRESSURE RANGE	CONNECTION	A	B	C	D	E	F	WEIGHT
4 1/2"	COP450L-452A	30-0 HG VAC	1/2" NPT BOTTOM	5.864	3.41	5.583	5.316	0.868	1.218	2.48
4 1/2"	COP450L-452CC	30-0-30 PSI	1/2" NPT BOTTOM	5.864	3.41	5.583	5.316	0.868	1.218	2.48
4 1/2"	COP450L-452CD	30-0-60 PSI	1/2" NPT BOTTOM	5.864	3.41	5.583	5.316	0.868	1.218	2.48
4 1/2"	COP450L-452C	0-30 PSI	1/2" NPT BOTTOM	5.864	3.41	5.583	5.316	0.868	1.218	2.48
4 1/2"	COP450L-452D	0-60 PSI	1/2" NPT BOTTOM	5.864	3.41	5.583	5.316	0.868	1.218	2.48
4 1/2"	COP450L-452E	0-100 PSI	1/2" NPT BOTTOM	5.864	3.41	5.583	5.316	0.868	1.218	2.48
4 1/2"	COP450L-452F	0-160 PSI	1/2" NPT BOTTOM	5.864	3.41	5.583	5.316	0.868	1.218	2.48
4 1/2"	COP450L-452G	0-200 PSI	1/2" NPT BOTTOM	5.864	3.41	5.583	5.316	0.868	1.218	2.48
4 1/2"	COP450L-452H	0-300 PSI	1/2" NPT BOTTOM	5.864	3.41	5.583	5.316	0.868	1.218	2.48
4 1/2"	COP450L-452K	0-600 PSI	1/2" NPT BOTTOM	5.864	3.41	5.583	5.316	0.868	1.218	2.48
4 1/2"	COP450L-452M	0-800 PSI	1/2" NPT BOTTOM	5.864	3.41	5.583	5.316	0.868	1.218	2.48
4 1/2"	COP450L-452N	0-1,500 PSI	1/2" NPT BOTTOM	5.864	3.41	5.583	5.316	0.868	1.218	2.48
4 1/2"	COP450L-452O	0-2,000 PSI	1/2" NPT BOTTOM	5.864	3.41	5.583	5.316	0.868	1.218	2.48
4 1/2"	COP450L-452P	0-3,000 PSI	1/2" NPT BOTTOM	5.864	3.41	5.583	5.316	0.868	1.218	2.48
4 1/2"	COP450L-452R	0-5,000 PSI	1/2" NPT BOTTOM	5.864	3.41	5.583	5.316	0.868	1.218	2.48
4 1/2"	COP450L-452U	0-10,000 PSI	1/2" NPT BOTTOM	5.864	3.41	5.583	5.316	0.868	1.218	2.48

* Due to the continuous development of our products, design or construction may change without prior notice